

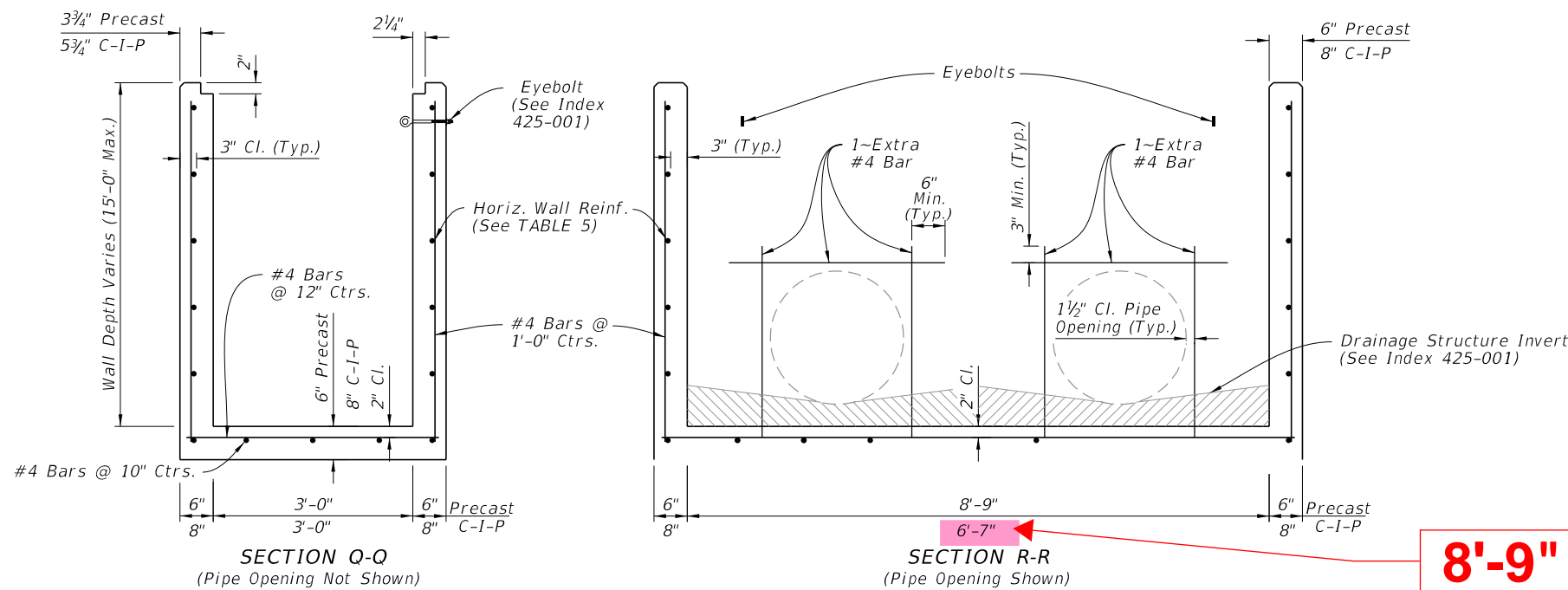
SECTION S-S

SECTION T-T

STEEL GRATE DETAIL

(Approx. 388 lbs. - See Sheet 7 For Cast Iron Grates)

PLAN



SECTION Q-Q
(Pipe Opening Not Shown)

SECTION R-R
(Pipe Opening Shown)

DIMENSIONAL AND REINFORCING DETAILS

TABLE 5
HORIZONTAL WALL REINFORCING SCHEDULE

WALL DEPTH	SCHEDULE	AREA (in. ² /ft.)	MAX. SPACING	
			BARS	WWR
0' - 5'	C3.5	0.37	3 1/2"	3"
5'-10'	D4.5	0.53	4 1/2"	4"

NOTES:

1. Grate, Concrete Apron, and Sod not shown on structure details.
2. See Sheet 8, 9, and 10 for Concrete Apron and Sodded Area details.
3. Pipe Spacing S = 4'-3"

TYPE H (4 GRATE) - DIMENSIONAL, REINFORCEMENT, AND STEEL GRATE DETAILS

10/12/2020 6:52:55 AM

LAST REVISION	DESCRIPTION:
11/01/20	



FY 2021-22
STANDARD PLANS

DITCH BOTTOM INLET TYPE C, D, E, AND H

INDEX
425-052

SHEET
6 of 14