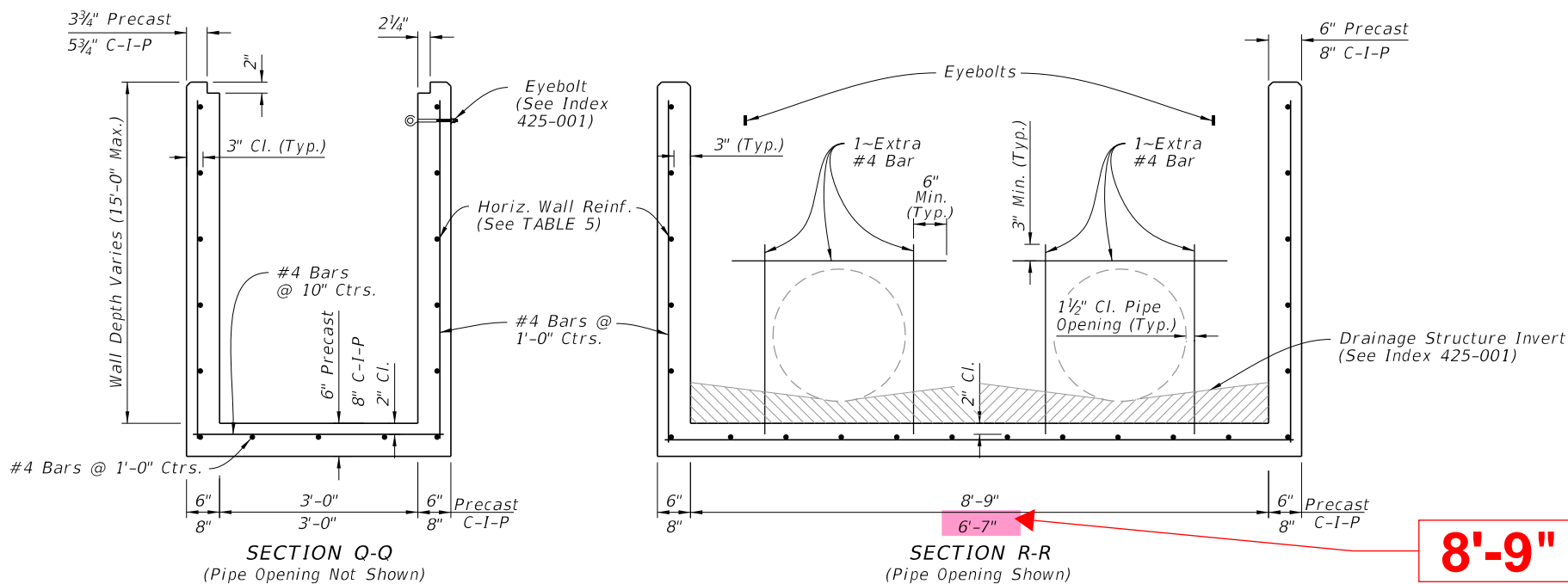


**STEEL GRATE DETAIL**

(Approx. 388 lbs. - See Sheet 7 For Cast Iron Grates)

**PLAN**



**TABLE 5  
HORIZONTAL WALL REINFORCING SCHEDULE**

WALL DEPTH	SCHEDULE	AREA (in. <sup>2</sup> /ft.)	MAX. SPACING	
			BARS	WWR
0' - 5'	C3.5	0.37	3 1/2"	3"
5'-10'	D4.5	0.53	4 1/2"	4"

**NOTES:**

1. Grate, Concrete Apron, and Sod not shown on structure details.
2. See Sheet 8, 9, and 10 for Concrete Apron and Sodded Area details.
3. Pipe Spacing S = 4'-3"

**DIMENSIONAL AND REINFORCING DETAILS**

**TYPE H (4 GRATE) - DIMENSIONAL, REINFORCEMENT, AND STEEL GRATE DETAILS**

9/21/2021 1:22:36 PM

LAST REVISION 11/01/20	DESCRIPTION:	FDOT FY 2022-23 STANDARD PLANS	DITCH BOTTOM INLET TYPE C, D, E, AND H	INDEX 425-052	SHEET 6 of 14
---------------------------	--------------	--------------------------------------	--	------------------	------------------