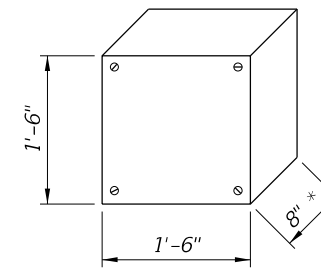


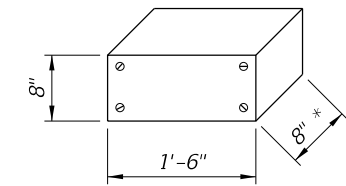
CONDUIT GENERAL NOTES:

1. Furnish and install approved Conduits, Fittings and Embedded Junction Boxes (EJB's) in accordance with Specification Sections 630 and 635, this Standard, the National Electric Code (NEC) and as directed by the Engineer.
2. Furnish and install Embedded Junction Boxes (EJB) with weatherproof covers sized in accordance with NEC requirements and the maximum size limits shown. Install EJB adjacent to the Begin and End of Bridges, Begin and End of Retaining Walls, (except omit EJB adjacent to the Bridge unless a precast Traffic Railing with junction slab is used), and at other locations as necessary to maintain 300 foot maximum spacing. See Plans for additional locations and details.
3. For Conduit not designated for future use, see Plans for details. For Conduit designated for future use, stub out and cap the Conduit. Drive a 3'-0"± long ¾" (min.) diameter Steel Pipe flush with the ground line adjacent to the end of the Conduit as shown on Sheets 2, 3 or 4. Provide the location of the stub out with Steel Pipe to the Engineer for inclusion on the As-Built Plans.
4. Shift vertical Railing reinforcement symmetrically to provide 2" clearance to EJB. Space shifted vertical reinforcement at minimum 3" centers. Cut horizontal Railing reinforcement to provide 2" clearance to EJB and provide supplemental reinforcement as shown. To facilitate placement of Conduit, Expansion Fittings, and Expansion/Deflection Fittings, shift reinforcing a maximum of 1" but do not cut railing reinforcing to facilitate Conduit or Fittings. Do not bundle Conduits, or Conduit and horizontal reinforcement.
5. Place conduits as indicated in this Standard unless Structures Plans indicate fewer. Max elevation of the top of conduit is 1'-6" above top of coping for traffic barriers and 1'-2" for parapets.

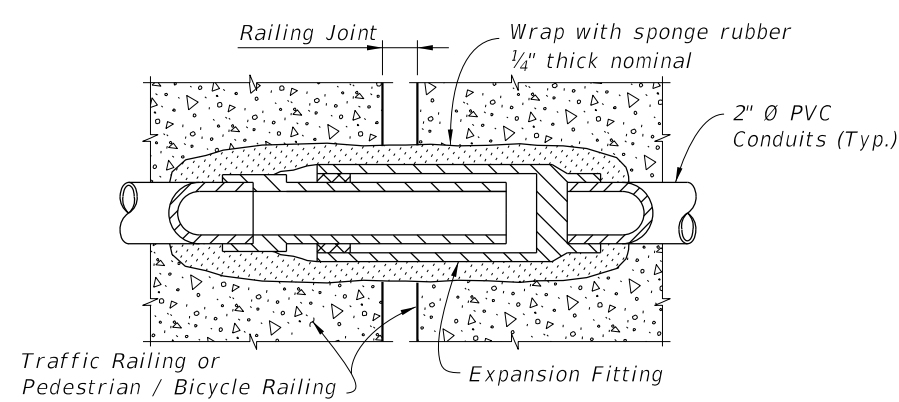
* Reduce to 6" maximum when installed in Pedestrian/ Bicycle Railings.



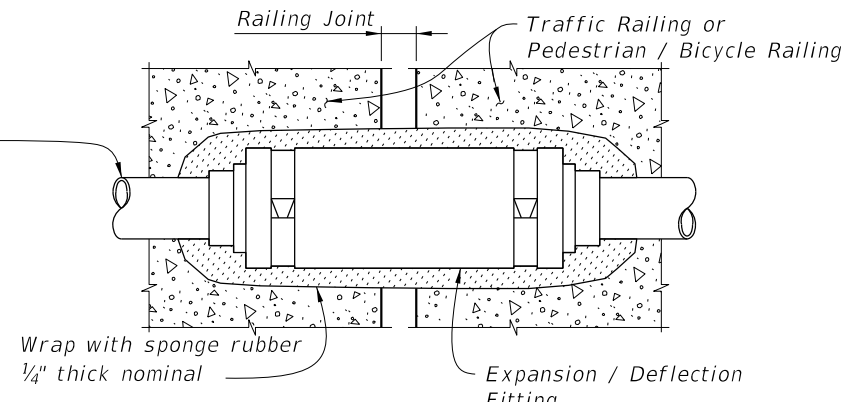
EJB "A"
Double or Triple Conduit
(Maximum Dimensions)



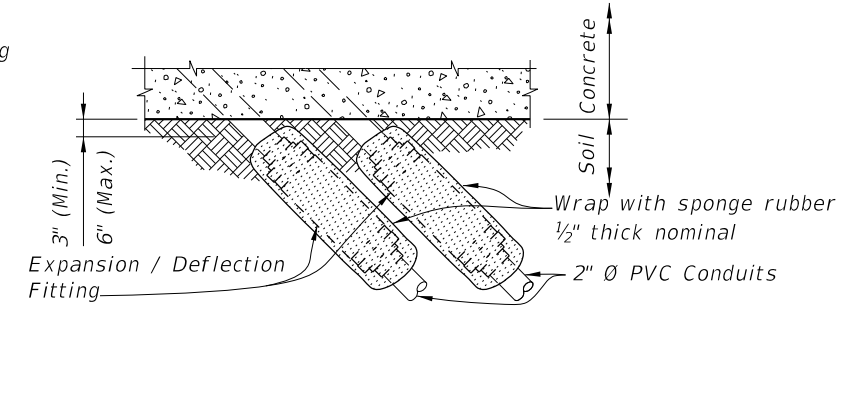
EJB "B"
Single Conduit
(Maximum Dimensions)



DETAIL "A"
EXPANSION FITTING DETAIL



DETAIL "B" EXPANSION / DEFLECTION
FITTING DETAIL (CONCRETE / CONCRETE)

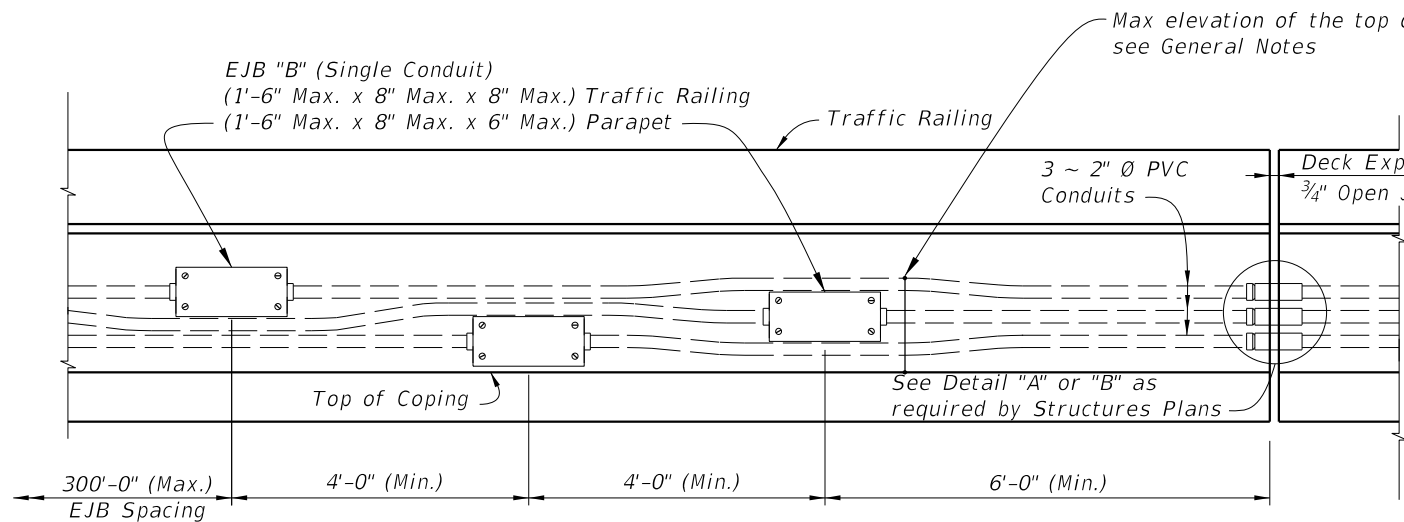


DETAIL "C" EXPANSION / DEFLECTION
FITTING DETAIL (CONCRETE / SOIL)

10/16/2025 3:28:31 PM

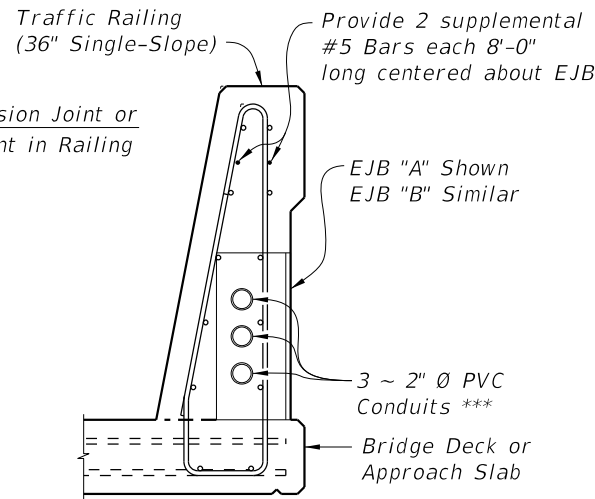
LAST REVISION 11/01/25	REVISION	DESCRIPTION:		FY 2026-27 STANDARD PLANS	CONDUIT DETAILS - EMBEDDED	INDEX 630-010	SHEET 1 of 4
---------------------------	----------	--------------	--	------------------------------	----------------------------	------------------	-----------------

GENERAL

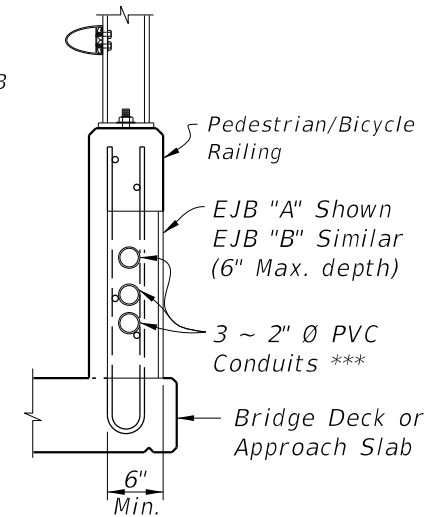


EJB "B" DETAIL

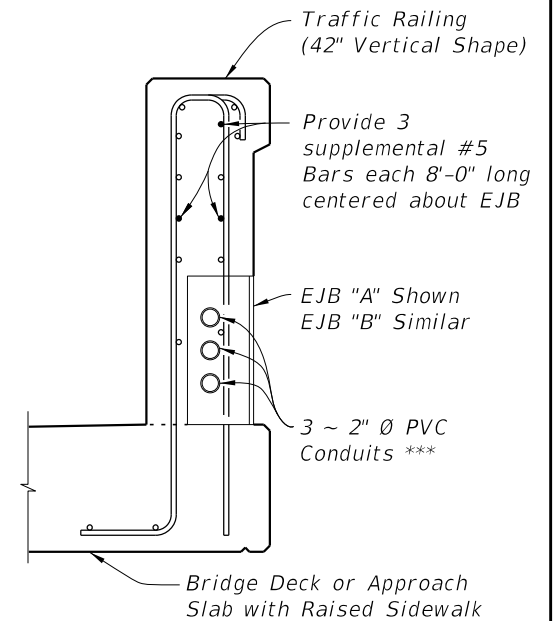
* 36" Single-Slope Traffic Railing shown, other Traffic Railings and Pedestrian/Bicycle Railings similar.
 ** EJB "A" shown, EJB "B" similar. See EJB "B" Detail.
 *** See Sheet 1, Note 5.



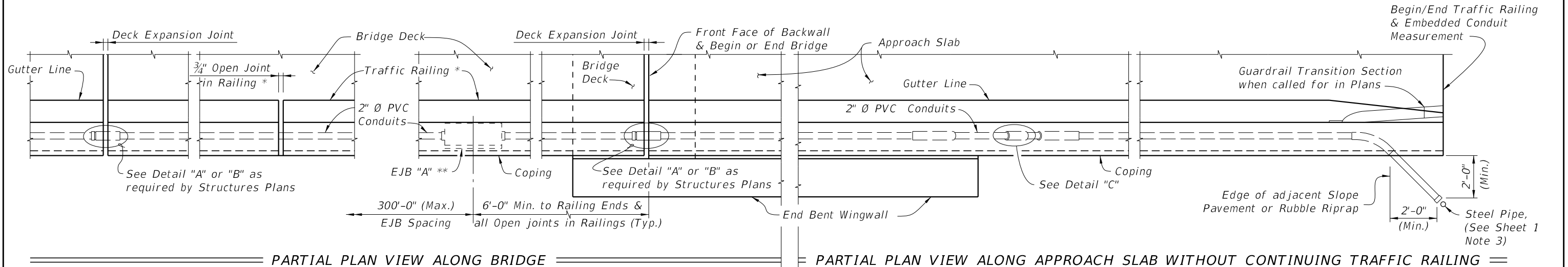
SECTION THRU TRAFFIC RAILING AT EJB (36" SINGLE-SLOPE SHOWN, 42" SINGLE-SLOPE SIMILAR)



SECTION THRU PEDESTRIAN / BICYCLE RAILING AT EJB

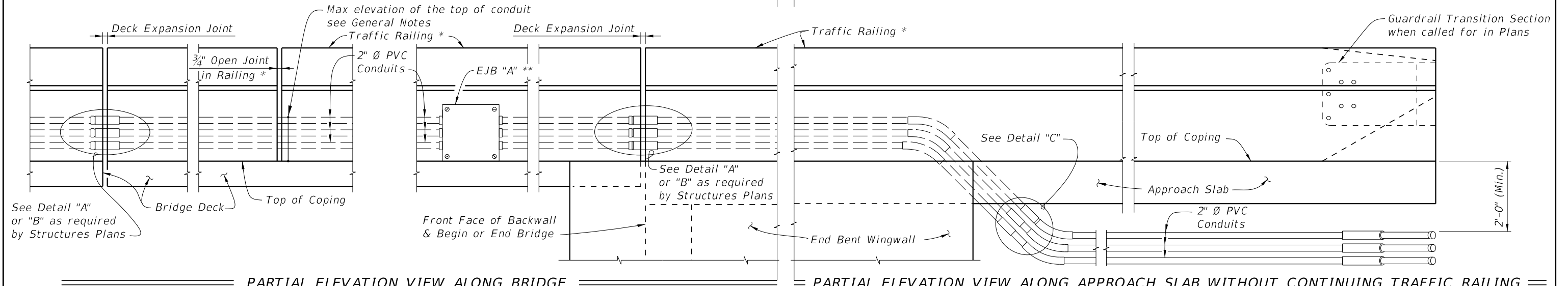


SECTION THRU TRAFFIC RAILING AT EJB (42" VERTICAL SHAPE SHOWN, 32" VERTICAL SHAPE SIMILAR)



PARTIAL PLAN VIEW ALONG BRIDGE

PARTIAL PLAN VIEW ALONG APPROACH SLAB WITHOUT CONTINUING TRAFFIC RAILING




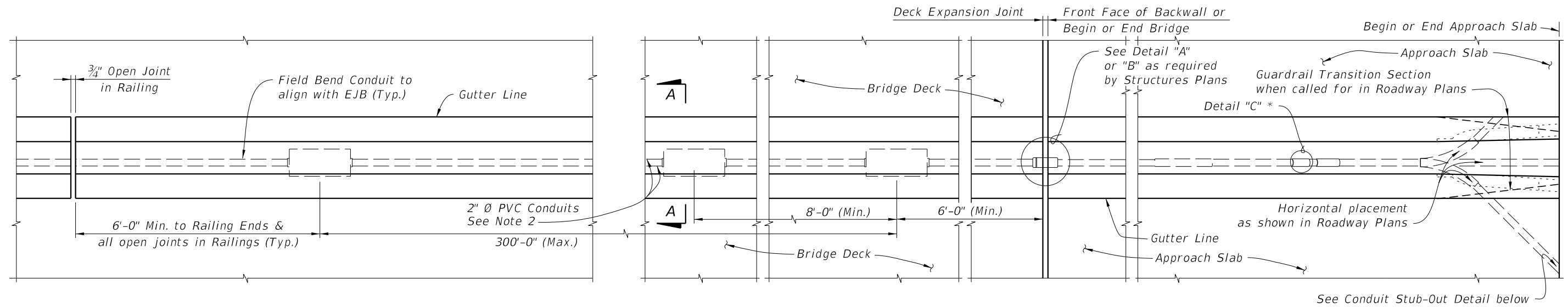
PARTIAL ELEVATION VIEW ALONG BRIDGE

PARTIAL ELEVATION VIEW ALONG APPROACH SLAB WITHOUT CONTINUING TRAFFIC RAILING

BRIDGE AND APPROACH SLAB WITH EDGE RAILING

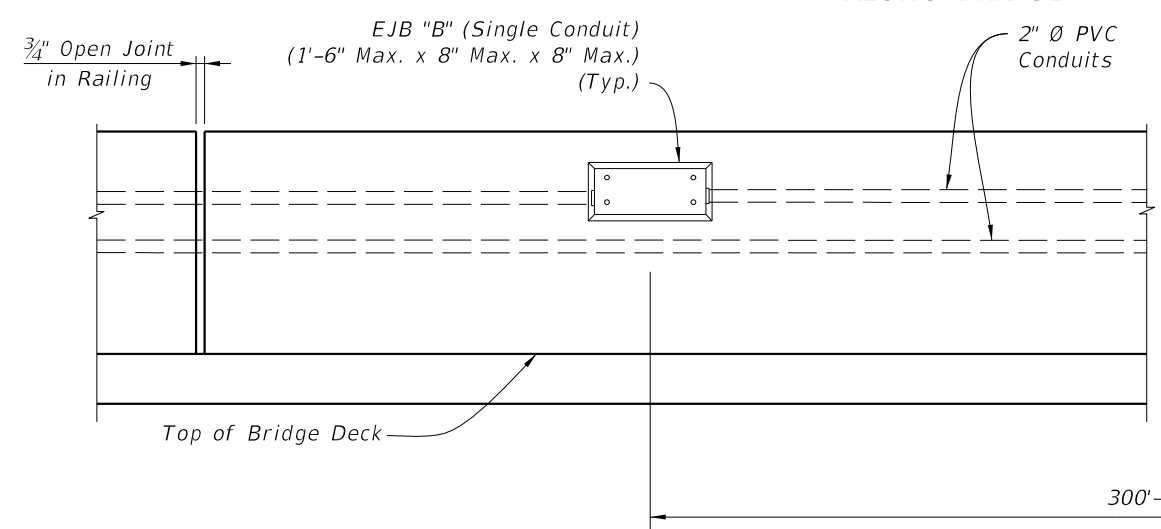
10/6/2025 3:28:37 PM

LAST REVISION	DESCRIPTION:		FY 2026-27 STANDARD PLANS	CONDUIT DETAILS - EMBEDDED	INDEX	SHEET
11/01/25						630-010

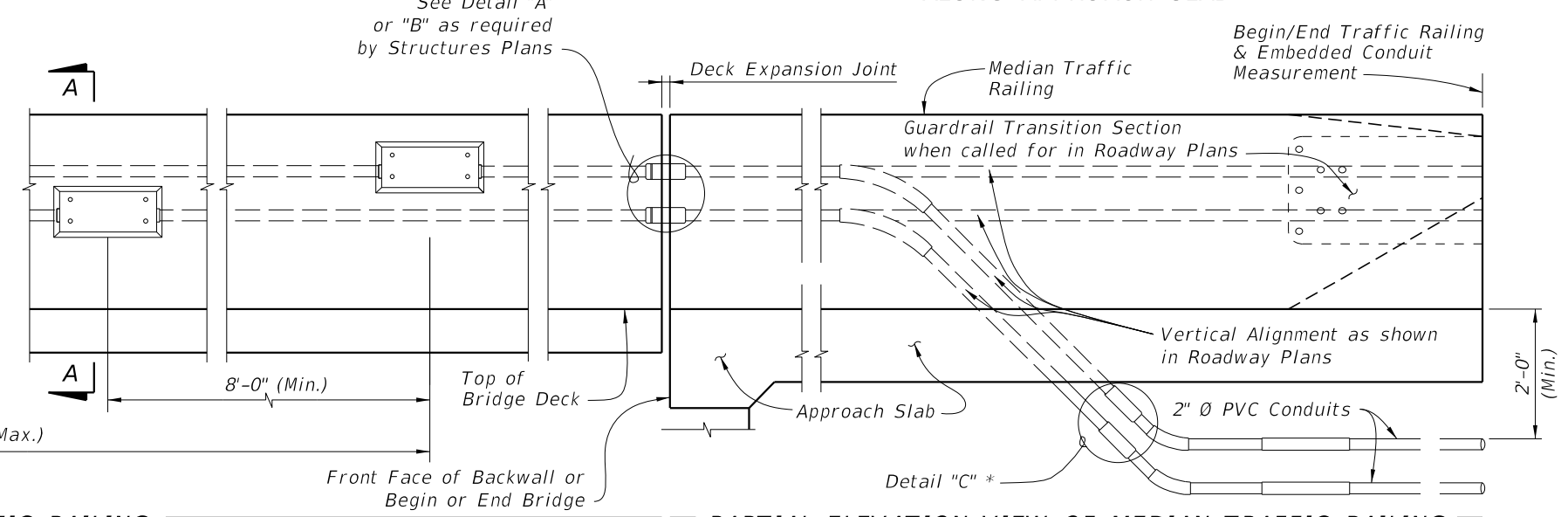


PARTIAL PLAN VIEW OF MEDIAN TRAFFIC RAILING ALONG BRIDGE

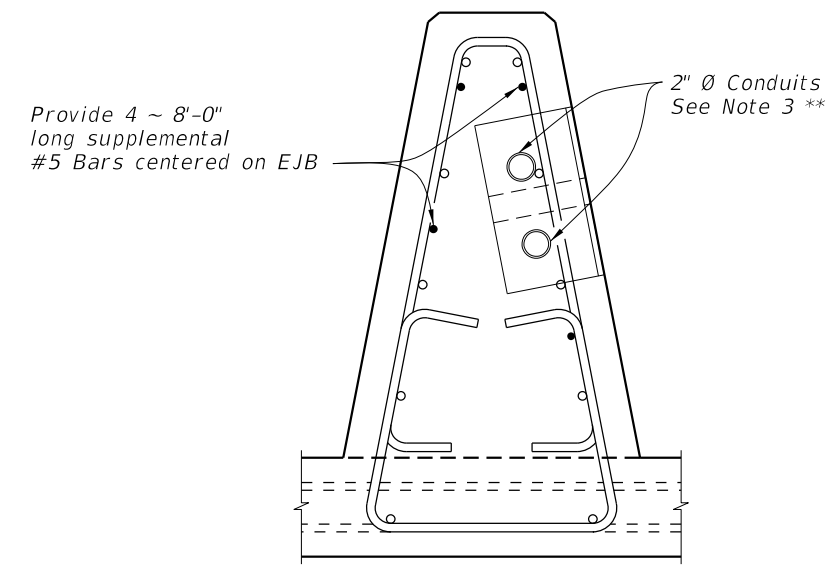
PARTIAL PLAN VIEW OF MEDIAN TRAFFIC RAILING ALONG APPROACH SLAB



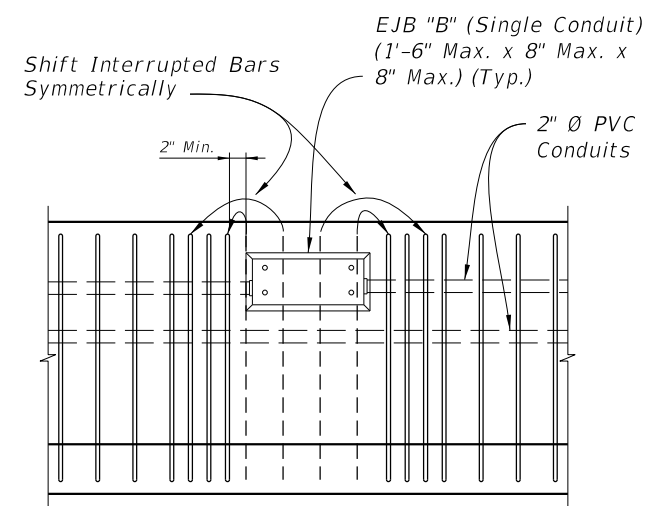
PARTIAL ELEVATION VIEW OF MEDIAN TRAFFIC RAILING ALONG BRIDGE



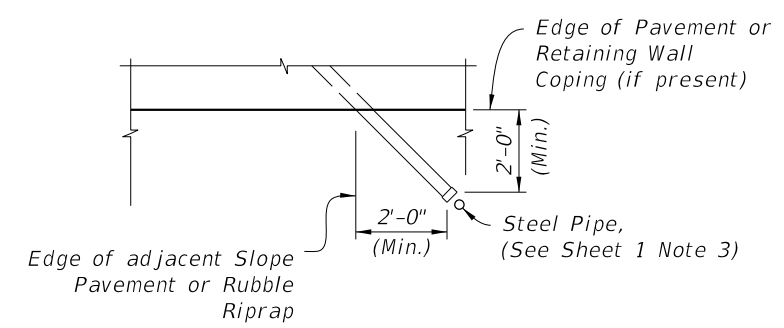
PARTIAL ELEVATION VIEW OF MEDIAN TRAFFIC RAILING ALONG APPROACH SLAB



SECTION A-A
Median Traffic Railing (See Note 4)



JUNCTION BOX REBAR CONFLICT ELEVATION



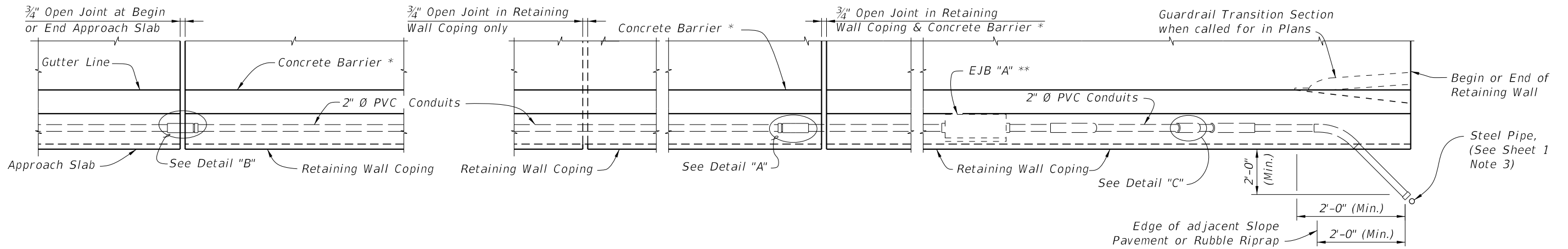
CONDUIT STUB-OUT DETAIL

- NOTES:
1. Work this sheet with Index 521-426.
 2. Adjust Conduit horizontally and vertically as necessary to align with EJB "B".
 3. When installed in traffic face of a railing, use EJB "B" with a minimum 3/8" thick galvanized steel cover.
 4. Position EJB such that, with gasket and cover plate secured and in place, cover plate is flush with the railing face. Flush is +1/8" to -1/4" measured with a horizontal straightedge.
- * For non-continuing Traffic Railing only.
** See Sheet 1, Note 5

BRIDGE AND APPROACH SLAB WITH MEDIAN TRAFFIC RAILING

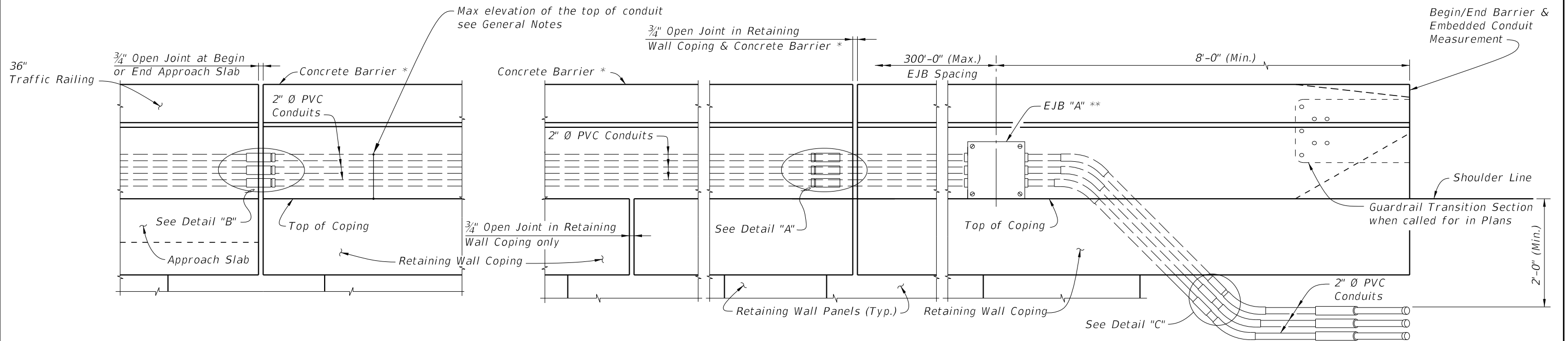
LAST REVISION 11/01/24	REVISION	DESCRIPTION:		FY 2026-27 STANDARD PLANS	CONDUIT DETAILS - EMBEDDED	INDEX	SHEET
						630-010	3 of 4

10/16/2025 3:28:43 PM



PARTIAL PLAN VIEW ALONG APPROACH SLAB WITH CONTINUING CONCRETE BARRIER

PARTIAL PLAN VIEW ALONG RETAINING WALL




PARTIAL ELEVATION VIEW ALONG APPROACH SLAB WITH CONTINUING CONCRETE BARRIER (Retaining Wall Mounted Concrete Barrier shown, Traffic Railing similar)

PARTIAL ELEVATION VIEW ALONG RETAINING WALL

* Index 521-610 Concrete Barrier/Junction Slab shown, other railings and parapets similar.
 ** EJB "A" shown EJB "B" similar. See EJB "B" Detail on Sheet 2.

APPROACH SLAB AND RETAINING WALL WITH CONCRETE BARRIER

LAST REVISION 11/01/25	REVISION	DESCRIPTION:	 FY 2026-27 STANDARD PLANS	CONDUIT DETAILS - EMBEDDED	INDEX 630-010	SHEET 4 of 4
---------------------------	----------	--------------	---	-----------------------------------	-------------------------	------------------------

10/6/2025 3:28:49 PM