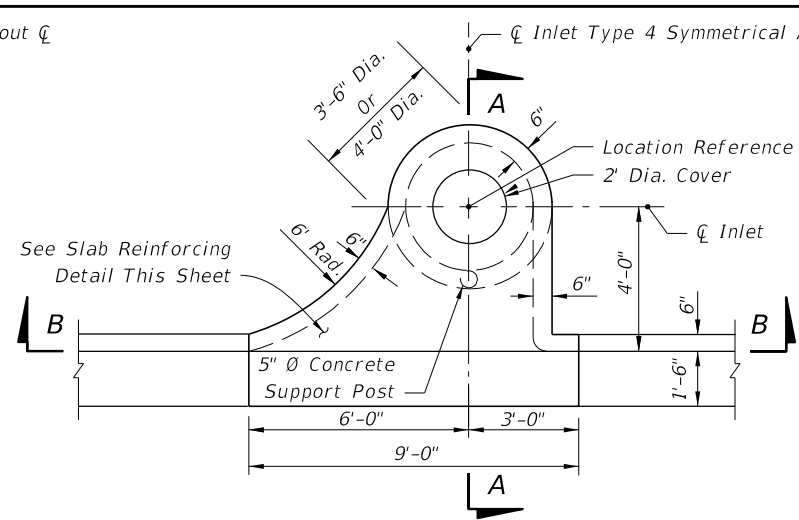
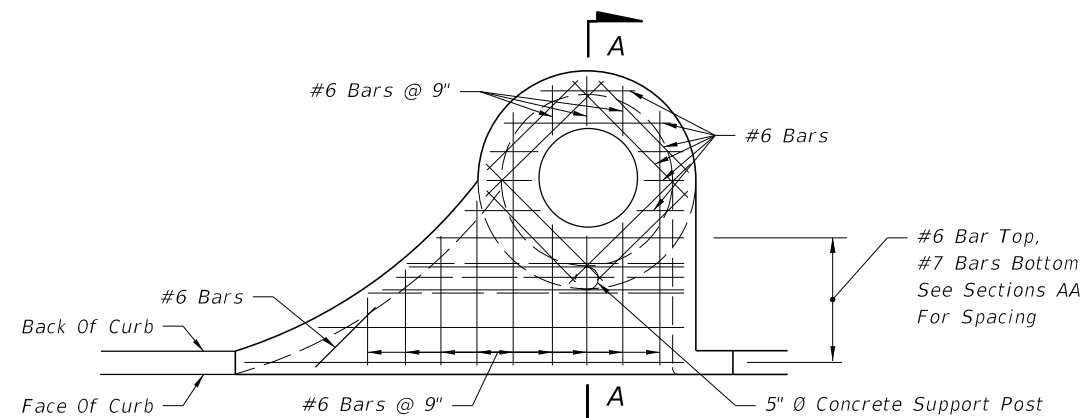


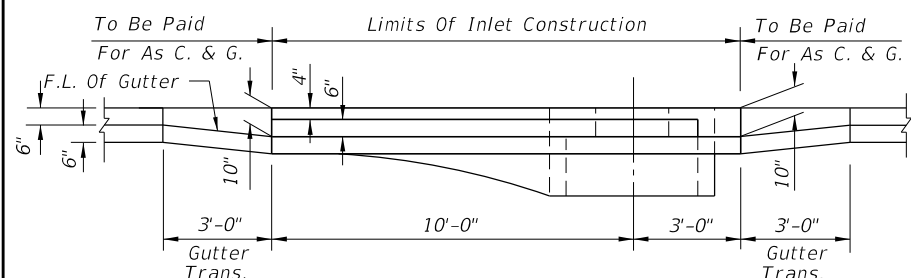
PLAN (INLET TYPE 2 SYMMETRICAL ABOUT \bar{C})



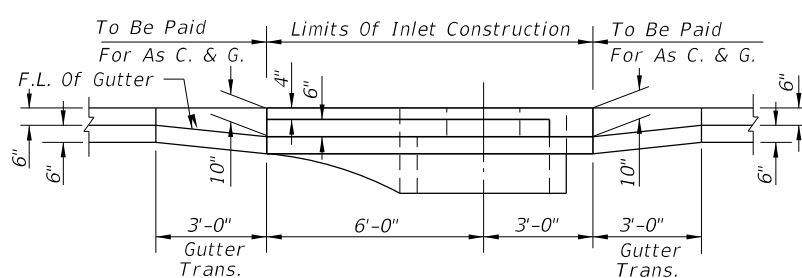
PLAN (INLET TYPE 4 SYMMETRICAL ABOUT \bar{C})



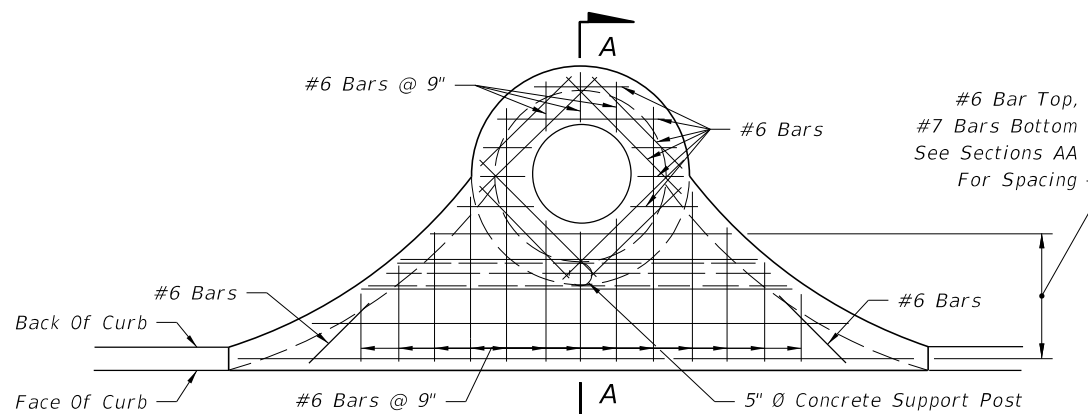
INLETS TYPES 1 AND 3



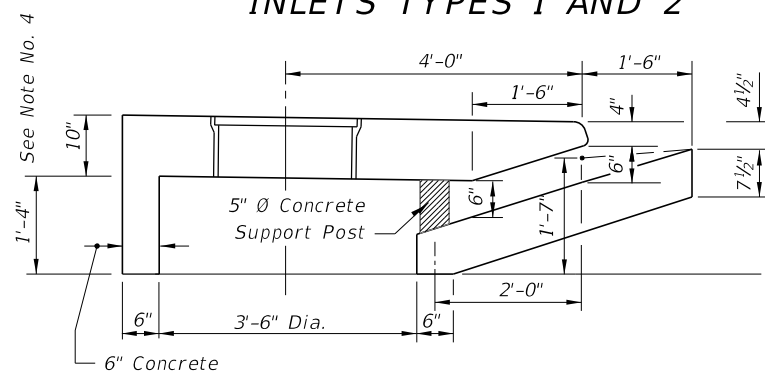
SECTION BB (INLET TYPE 2 SYMMETRICAL ABOUT \bar{C})
INLETS TYPES 1 AND 2



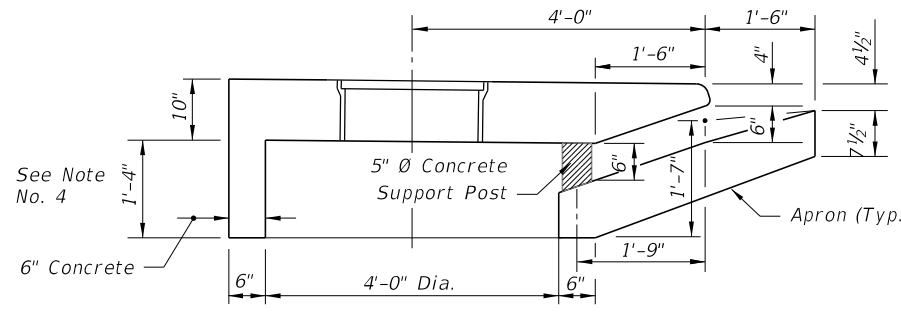
SECTION BB (INLET TYPE 4 SYMMETRICAL ABOUT \bar{C})
INLETS TYPES 3 AND 4



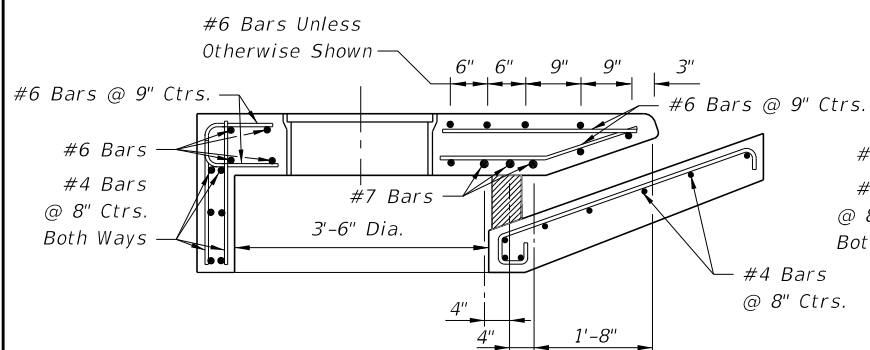
INLETS TYPES 2 AND 4
SLAB REINFORCING



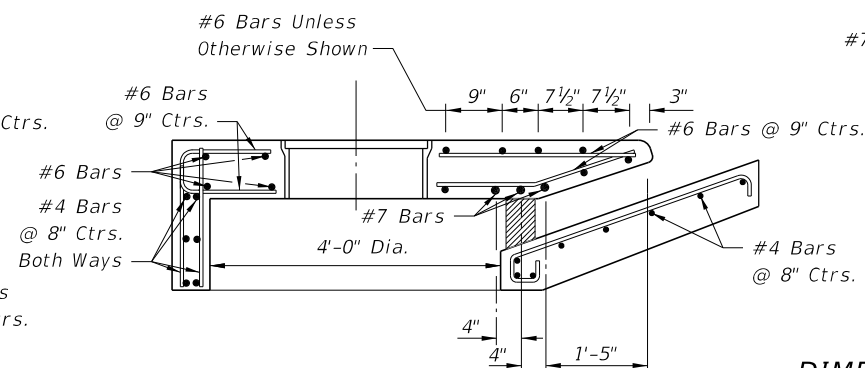
DIMENSIONAL SECTION



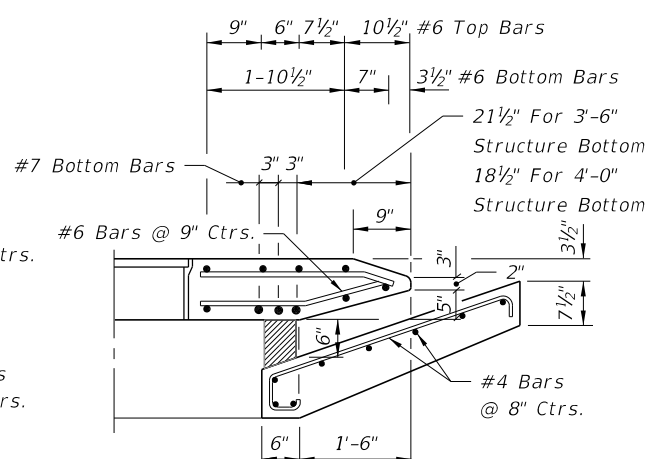
DIMENSIONAL SECTION



REINFORCING SECTION
3'-6" DIA. STRUCTURE BOTTOM (SECTION AA)



REINFORCING SECTION
4'-0" DIA. STRUCTURE BOTTOM (SECTION AA)



DIMENSION & REINFORCING HALF SECTION
TYPES A & E CURB (HALF SECTION AA)
(TYPE E GUTTER SHOWN)

GENERAL NOTES

1. The finished grade and slope of the inlet tops are to conform with the finished cross slope and grade of the proposed sidewalk and/or border.
2. When inlets are to be constructed on a curve, refer to the plans to determine the radius and, where necessary, modify the inlet details accordingly. Bend steel when necessary.
3. All steel in inlet top shall have 1/4" minimum cover unless otherwise shown. Inlet tops shall be either cast-in-place or precast concrete.
4. For precast units the rear wall and apron may be precast as a separate piece from the top slab. Provide a minimum of 7 ~ #4 dowels in accordance with Index No. 201 "OPTIONAL CONSTRUCTION JOINTS".
5. For supplemental details see Index No. 201.
6. Only round concrete support post will be acceptable.
7. These inlets are designed for use with standard curb and gutter Types E and Type F. Locate inlet outside of pedestrian crosswalks.
8. For structure bottoms see Index No. 200.
9. Inlet to be paid for under the contract unit price for inlets (Curb) (Type_), Each.

9:05:00 AM
6/8/2015

LAST REVISION	DESCRIPTION:
07/01/13	