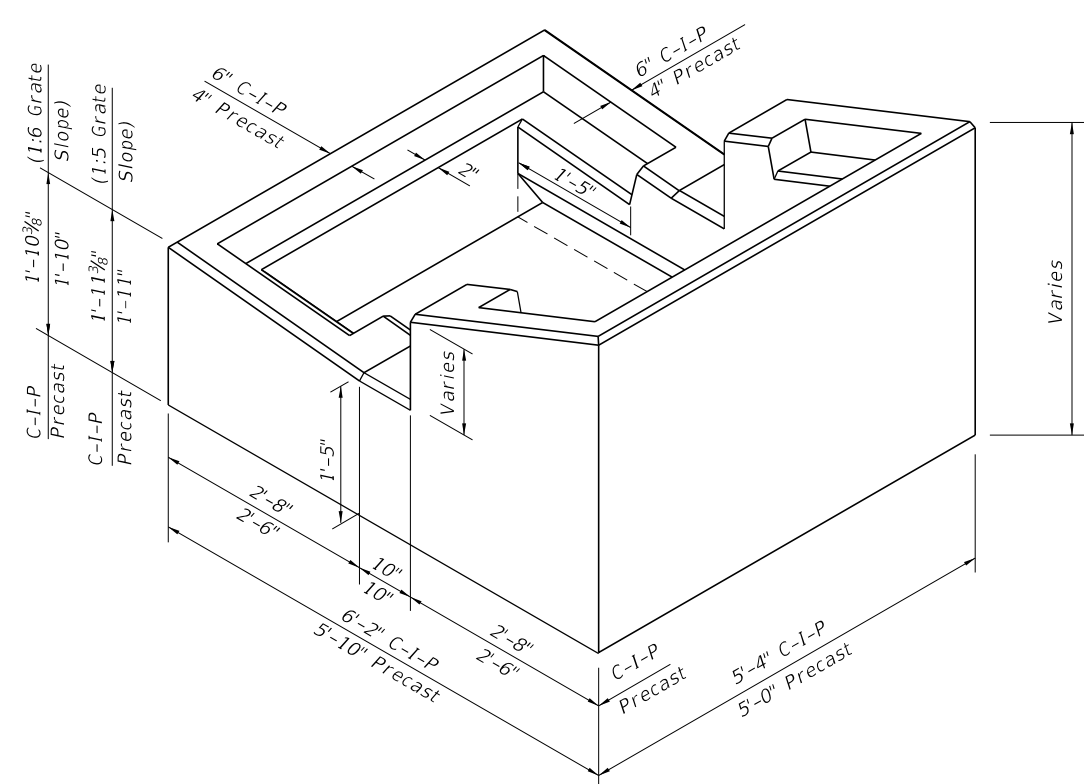
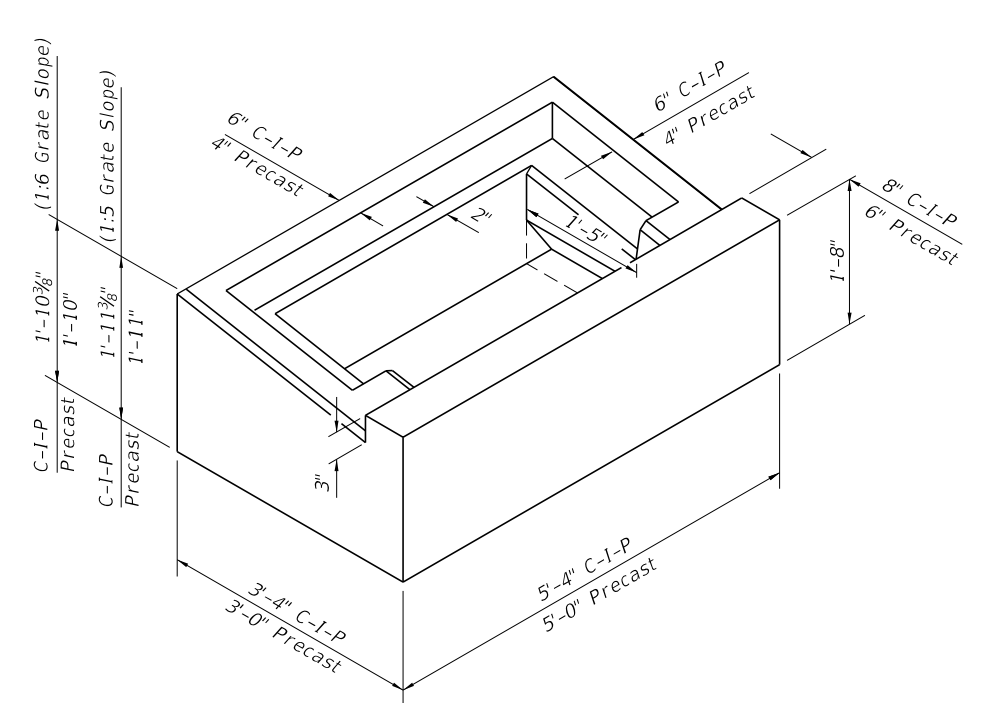


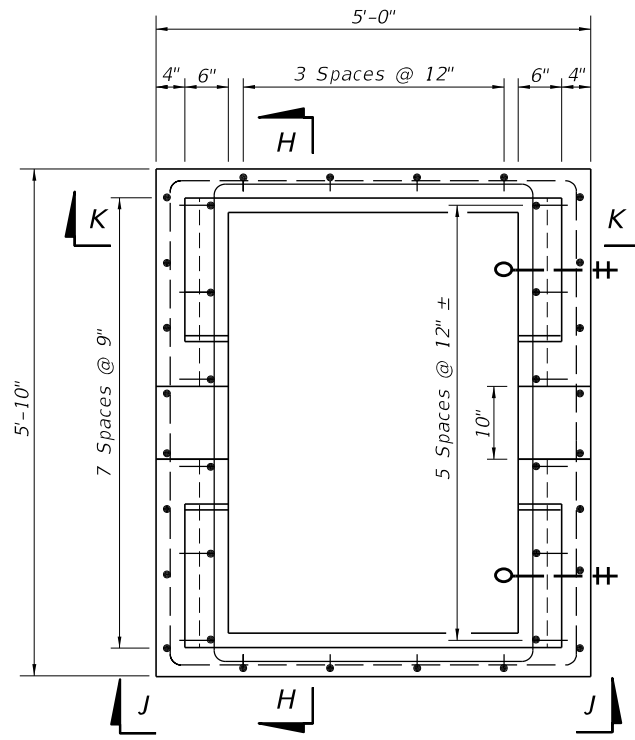
INSET A



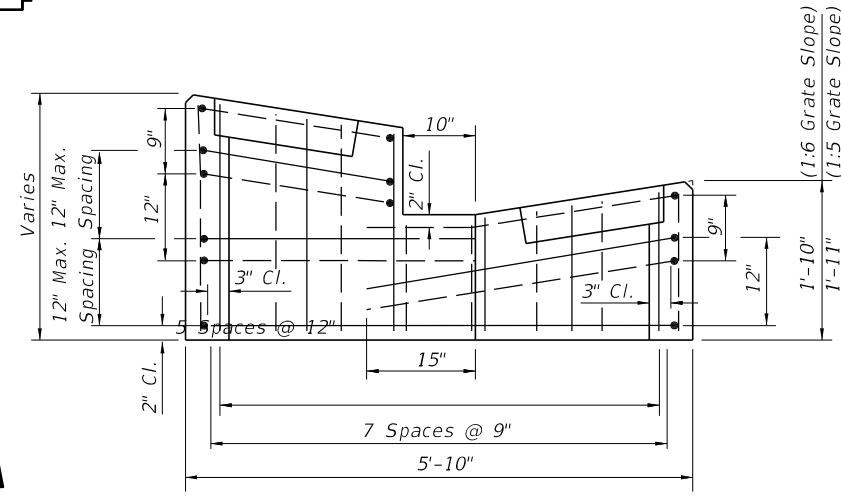
PICTORIAL VIEW OF INLET COLLAR (TYPES 3, 4, & 5)



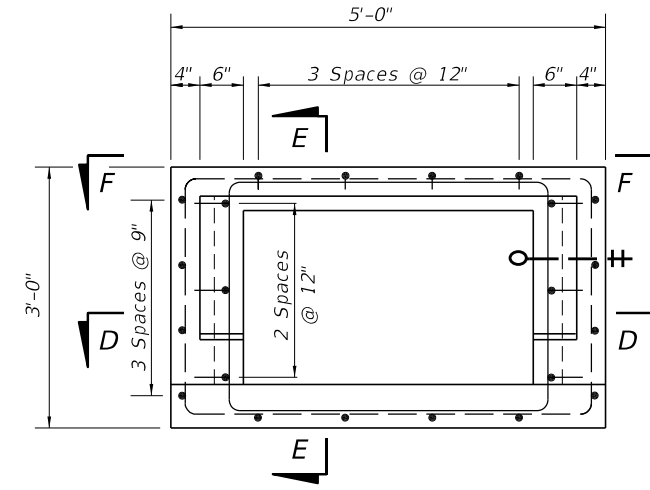
PICTORIAL VIEW OF INLET COLLAR (TYPES 1 & 2)



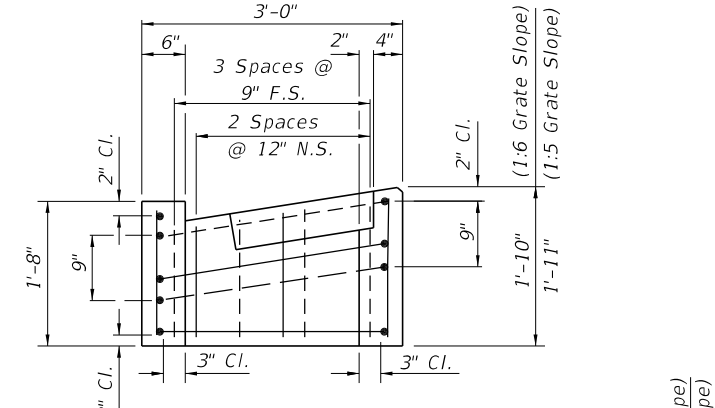
TOP VIEW OF INLET COLLAR WITHOUT GRATE



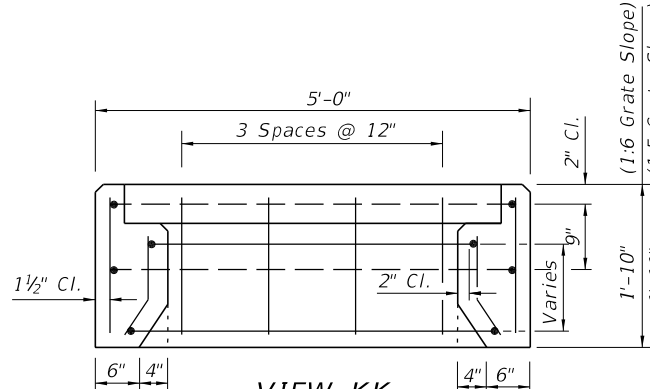
SECTION HH



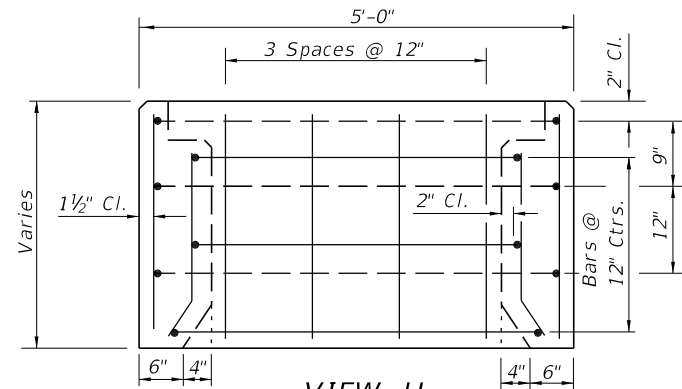
TOP VIEW OF INLET COLLAR WITHOUT GRATE



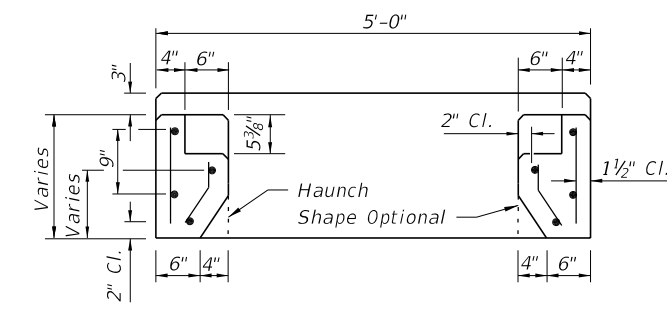
SECTION EE



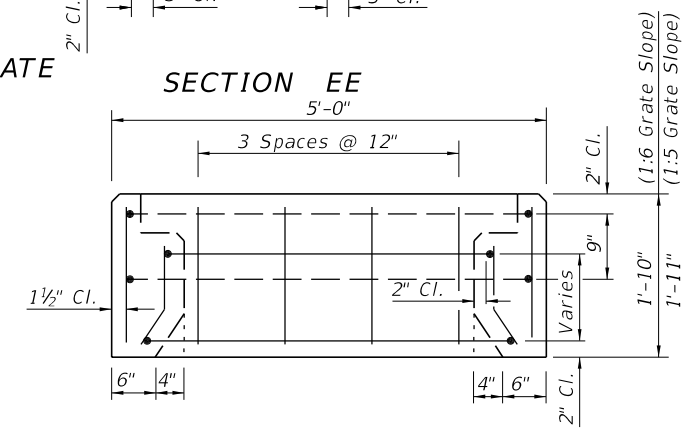
VIEW KK



VIEW JJ



SECTION DD



VIEW FF

PRECAST COLLAR REINFORCING DETAILS (TYPES 3, 4 & 5)
(C-I-P COLLAR REINFORCING DETAILS SIMILAR)

PRECAST COLLAR REINFORCING DETAILS (TYPES 1 & 2)
(C-I-P COLLAR REINFORCING DETAILS SIMILAR)

6/8/2015 9:08:05 AM

LAST REVISION 07/01/05	REVISION	DESCRIPTION:	2016 DESIGN STANDARDS	MEDIAN BARRIER INLETS TYPE 1, 2, 3, 4 AND 5	INDEX NO. 217	SHEET NO. 2 of 2
---------------------------	----------	--------------	--------------------------	---	------------------	---------------------