

913 Typical Sections

913.1 General

The primary purpose of Typical Section sheets is to provide sectional depictions of the roadway, bridge, and toll site elements that illustrate “typical” conditions between specified station or milepost limits. Typical Section sheets also provide the traffic data and pavement design associated with the typical section being displayed.

The typical section design files used to create the Typical Section Package (see **FDM 120**) should be used to prepare the Typical Section sheets.

For illustrations of various typical sections, see **Exhibits 913-1** through **913-13**.

913.2 Typical Sections

Typical sections must cover the entire project limits; i.e., omit only Project Exceptions. Include the limits of typical section transitions with the typical section that begins the transition. Conditions such as turn lanes that occur for short distances should not be shown as separate typical sections.

Include typical sections for each proposed toll site. These typical sections must represent the required 100 feet of loop pavement underneath the toll gantry, tolling equipment building, gantry, and foundation outlines.

To aid in the development of typical section depictions, the FDOT CADD Software contains templates for generic typical sections that can be modified to reflect project conditions.

Typical Section sheets should contain only one typical section. Place Typical Section sheets in the plans in the following order:

- (1) Roadway mainline
- (2) Bridges for projects with bridges (new or widened)
- (3) Toll sites
- (4) Ramps and service roads for projects which include an interchange
- (5) Intersecting roadways when significant work length is required
- (6) Sideroads or streets when significant work length is required

913.2.1 Required Information

Show the road name and station (or milepost) limits below the TYPICAL SECTION header.

Typical sections are typically not drawn to scale, but the horizontal distances and slope angles shown must be proportionate. Existing typical section elements are shown as dashed lines and proposed as solid lines. Typical sections must label and dimension the following information, as applicable:

- (1) Centerline or baseline of construction.
- (2) Natural ground.
- (3) Profile grade point.
- (4) R/W or easements, and limits of construction.
- (5) Limits of Clearing and Grubbing (Standard and Selective).
- (6) Limits of sod and turf.
- (7) Total shoulder widths and paved shoulder widths. Label shoulder treatments on RRR projects.
- (8) Travel lane widths (total and individual lanes) and limits of friction course.
- (9) Show median or roadside barriers when continuous (or mostly continuous) through the typical section limits.
- (10) Bicycle lanes.
- (11) Indicate the widths of existing pavement and proposed pavement on widening projects.
- (12) Curb locations and types (show Type E or F Curb, not the dimension).
- (13) Sidewalk locations and widths.
- (14) Cross slopes of roadway pavements, shoulder surfaces, sidewalks, and bridge decks as a decimal part of a foot vertical per foot horizontal. These cross slopes should be rounded to two decimal places, i.e., 0.02, 0.06. Three decimal places may be required for pavement cross slopes.
- (15) Bridge traffic railings and parapets.

- (16) Median width and type, show slopes by ratio, vertical to horizontal, i.e., 1:4, 1:2.
- (17) Roadside slopes and ditches, show slopes by ratio, vertical to horizontal.
- (18) Depict pavement construction by indicating the LBR requirement and the thickness of the subgrade stabilization, subbase, or base, as well as the thickness of the structural course, friction course and shoulder pavement. Use 4 inches for both the base extension on rural sections and the stabilization extension on curbed sections. For mainline travel lanes on non-Limited Access roadways with design speeds of 55 mph and higher and project length of 0.5 miles or greater, obtain the Smoothness Class (associated with **Standard Specification 330**) from the State Materials Office (SM-LaserAcceptance@dot.state.fl.us). Include the Smoothness Class on the applicable Typical Section sheet (see **Exhibit 913-1** for an example).
- (19) Toll equipment building, gantry and foundation outlines.
- (20) For Turnpike projects only, show and label Florida Gas Transmission (FGT) facilities. Dimension the location to the center of the utility from the construction centerline or baseline.

913.2.2 Required Notes and Details

Show the following notes and details on Typical Section sheets as applicable:

- (1) For projects using Selective Clearing and Grubbing, include the following note:
See the Selective Clearing and Grubbing sheets for details and limits of selective clearing and grubbing.
- (2) For new construction flush shoulder projects, include a shoulder pavement detail (shown on **Exhibit 913-1**) with the following note:
This area may be constructed of base material (granular only) at no additional compensation.
- (3) For widening projects, include the following note:
Actual width of base widening may vary due to actual existing pavement width. A uniform width base widening strip may be constructed at no additional compensation.
- (4) For projects constructing ditches, include the following note:

Depth and bottom width of ditch may vary.

- (5) For new construction curbed roadway projects with asphalt base course Type B-12.5 only, indicate the asphalt curb pad on the typical section and include an asphalt base curb pad detail.
- (6) For resurfacing projects on curbed roadways where the milling depth is less than the overlay thickness, include a feathering detail with notes.

913.2.3 Partial Sections

Partial sections are used to illustrate a changed condition (e.g., ditch or drainage features, bicycle or pedestrian features, longitudinal barriers) that occur for significant limits with the typical section being shown. **Exhibit 913-4** demonstrates the use of a partial section.

Place partial sections on the same sheet as the typical section to which they apply.

913.3 Traffic Data

Traffic data is required only for mainline roadways and bridges and for ramps. Show the following traffic data (consistent with the data used for the pavement design) below and to the left of the typical section:

- (1) Current Year and AADT
- (2) Estimated Opening Year and AADT (not required for skid hazard projects)
- (3) Estimated Design Year and AADT (not required for skid hazard projects)
- (4) K, D, T (24 hour) and T (Design Hour) factors
- (5) Design Speed (do not show Posted Speed or Target Speed)
- (6) Context Classification

913.4 Pavement Design

Show the approved pavement design directly below the typical section, in the order of construction as follows:

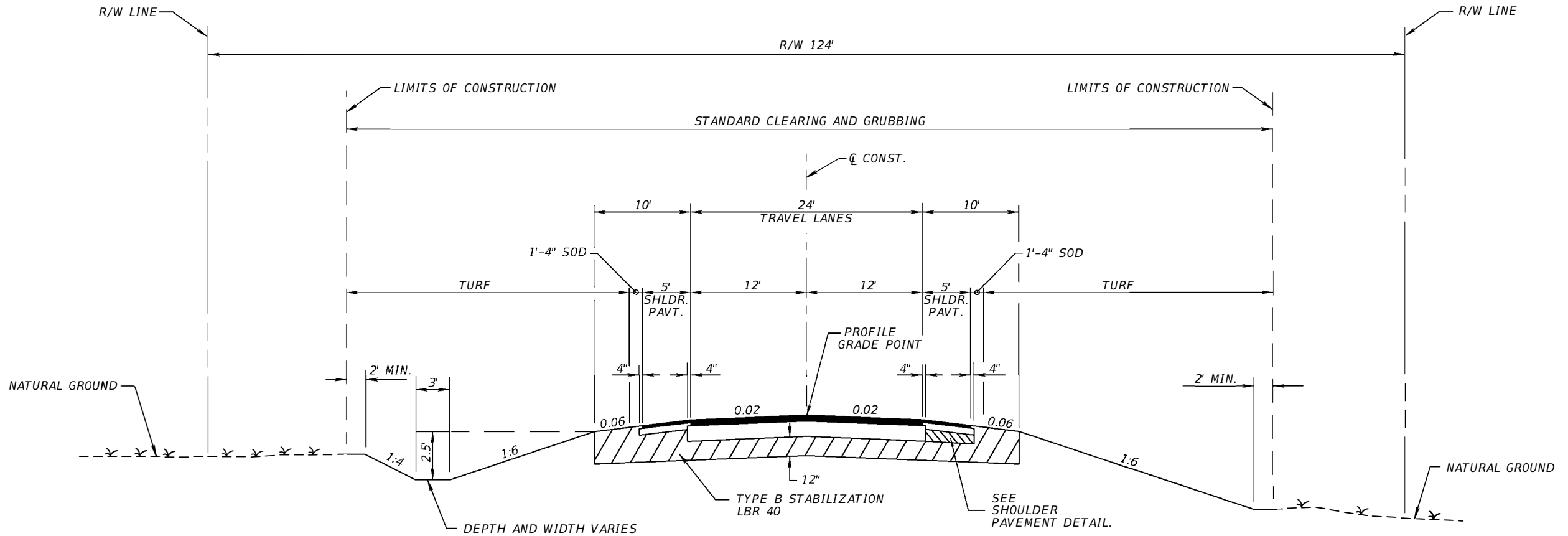
- For new construction, start with the optional base group and end with the friction course.

- For resurfacing projects, start with the milling depth, then list the structural courses and end with the friction course.

913.5 Cross Slope Correction Details

When cross slope correction is necessary, include special milling and layering details showing the method of correction in the plans.

Exhibit 913-13 provides an example of overbuild details.



**TYPICAL SECTION
SR 22
STA. 10+00.00 TO STA. 98+40.00
SMOOTHNESS CLASS 3**

TRAFFIC DATA

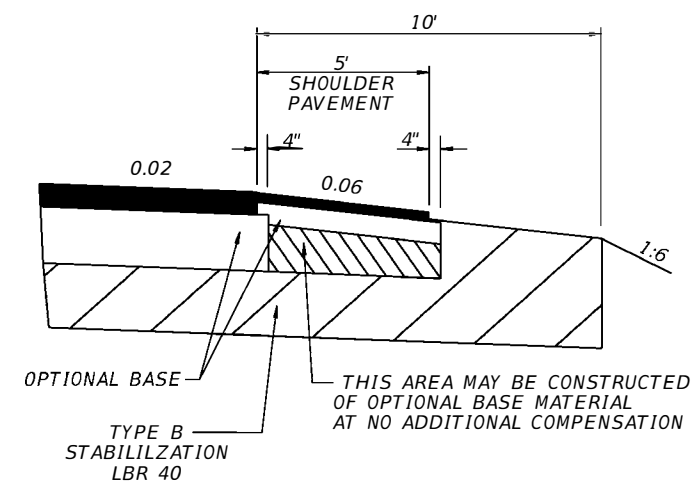
CURRENT YEAR = 2018 AADT = 6800
 ESTIMATED OPENING YEAR = 2020 AADT = 7600
 ESTIMATED DESIGN YEAR = 2040 AADT = 12000
 K = 6% D = 55% T = 2% (24 HOUR)
 DESIGN HOUR T = 1%
 DESIGN SPEED = 55 MPH
 CONTEXT CLASSIFICATION = C2

TRAVEL LANES

OPTIONAL BASE GROUP 8
 TYPE SP STRUCTURAL COURSE (TRAFFIC C) (2")
 FRICTION COURSE FC-12.5 (TRAFFIC C) (1 1/2") (PG 76-22)

SHOULDER PAVEMENT

OPTIONAL BASE GROUP 1
 FRICTION COURSE FC-12.5 (TRAFFIC C) (1 1/2") (PG 76-22)



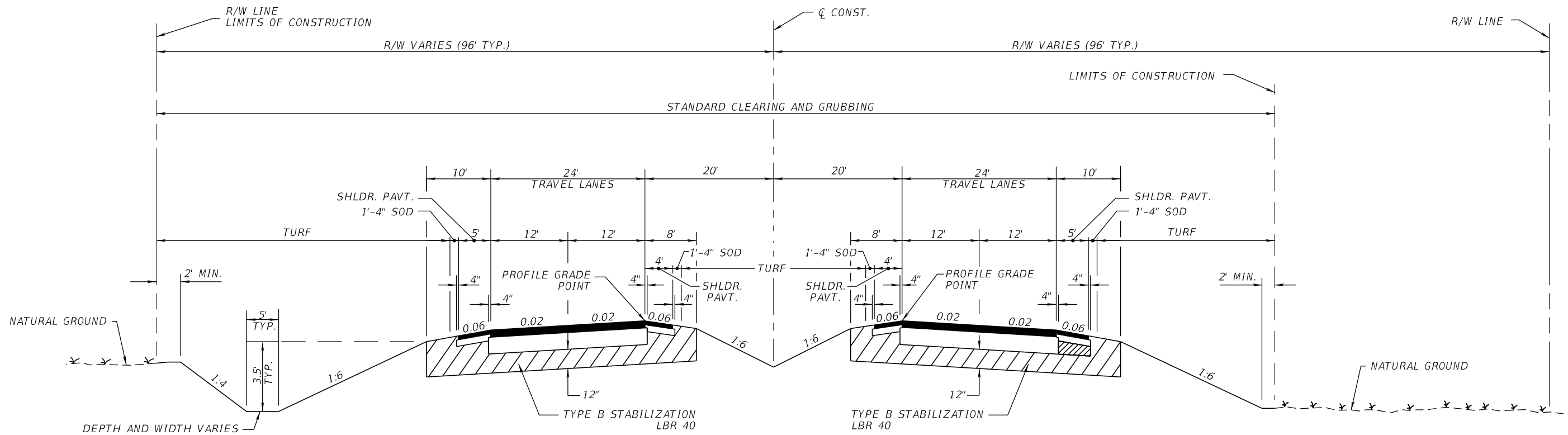
SHOULDER PAVEMENT DETAIL

Exhibit 913-1
 2-Lane Flush Shoulder
 Date: 1/1/2025

REVISIONS				ENGINEER OF RECORD		STATE OF FLORIDA DEPARTMENT OF TRANSPORTATION			SHEET NO. 4
DATE	DESCRIPTION	DATE	DESCRIPTION	LUKE S. WALKER LICENSE NUMBER: 12345 ROADWAY ENGINEERS, INC. 123 MAIN ST TALLAHASSEE, FL 32301		ROAD NO.	COUNTY	FINANCIAL PROJECT ID	
						SR 22	LEON	123456-1-52-01	

TYPICAL SECTION

THE OFFICIAL RECORD OF THIS SHEET IS THE ELECTRONIC FILE DIGITALLY SIGNED AND SEALED UNDER RULE 61G15-23.004, F.A.C.



TRAFFIC DATA

CURRENT YEAR = 2018 AADT = 22300
 ESTIMATED OPENING YEAR = 2020 AADT = 23300
 ESTIMATED DESIGN YEAR = 2040 AADT = 51500
 K = 9% D = 56% T = 10% (24 HOUR)
 DESIGN HOUR T = 5%
 DESIGN SPEED = 55 MPH
 CONTEXT CLASSIFICATION = C1 STA. 63+65.42 TO STA. 108+35.00
 C2 STA. 108+35.00 TO STA. 328+65.14

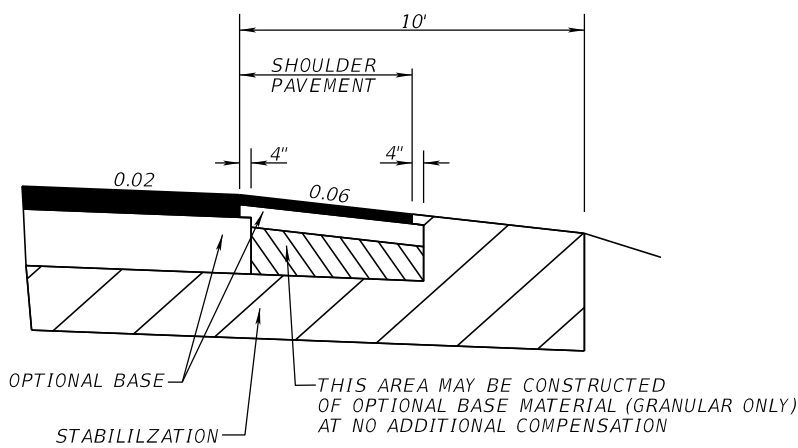
**TYPICAL SECTION
 SR 22
 STA. 63+65.42 TO STA. 328+65.14
 SMOOTHNESS CLASS 3**

TRAVEL LANES

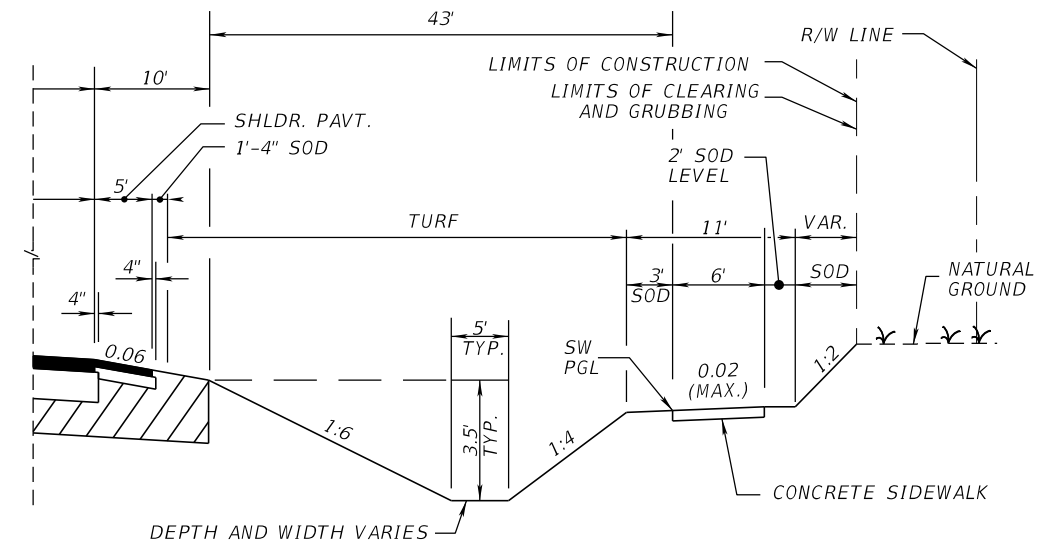
OPTIONAL BASE GROUP 9
 TYPE SP STRUCTURAL COURSE (TRAFFIC E) (2")
 TYPE SP STRUCTURAL COURSE (TRAFFIC E) (1 1/2") (PG 76-22)
 FRICTION COURSE FC-12.5 (TRAFFIC E) (1 1/2") (PG 76-22)

SHOULDER PAVEMENT

OPTIONAL BASE GROUP 1
 TYPE SP STRUCTURAL COURSE (TRAFFIC E) (1 1/2") (PG 76-22)
 FRICTION COURSE FC-12.5 (TRAFFIC E) (1 1/2") (PG 76-22)



SHOULDER PAVEMENT DETAIL



**TYPICAL SECTION DETAIL
 STA. 157+75.40 TO STA. 215+45.22**

**Exhibit 913-2
 4-Lane Flush Shoulder
 Date: 1/1/2025**

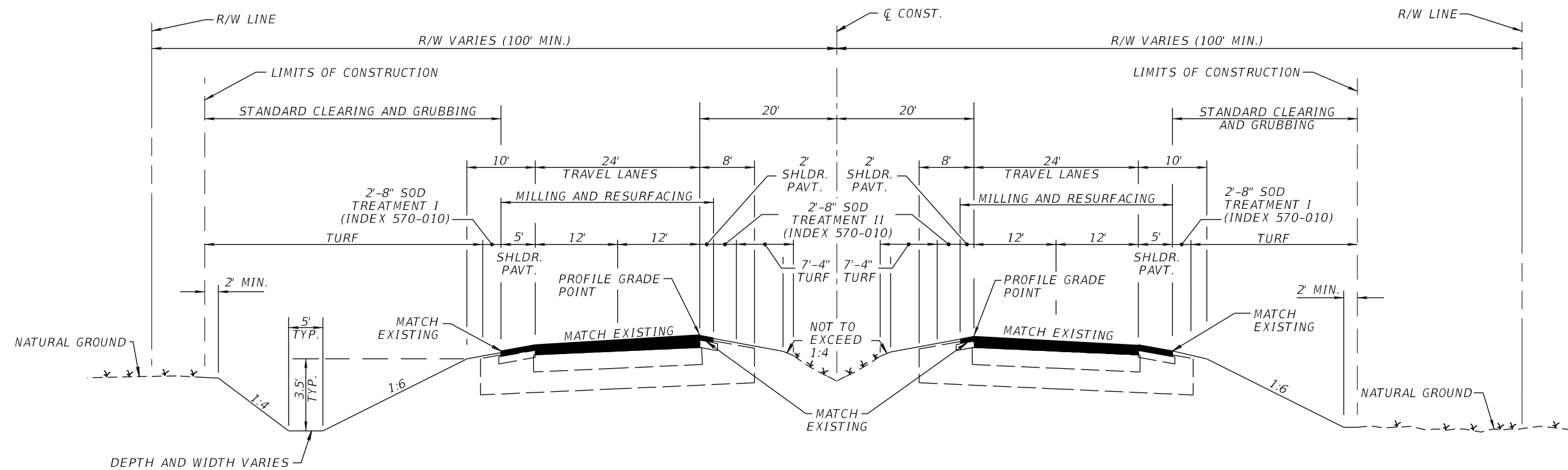
REVISIONS			
DATE	DESCRIPTION	DATE	DESCRIPTION

ENGINEER OF RECORD
 LUKE S. WALKER, P.E.
 LICENSE NUMBER: 99991
 ROADWAY ENGINEERS, INC.
 123 MAIN STREET
 TALLAHASSEE, FL 32301

STATE OF FLORIDA DEPARTMENT OF TRANSPORTATION		
ROAD NO.	COUNTY	FINANCIAL PROJECT ID
SR 22	BAY	123456-1-52-01

TYPICAL SECTION

SHEET NO. 5



TRAFFIC DATA

CURRENT YEAR = 2018 AADT = 18100
 ESTIMATED OPENING YEAR = 2020 AADT = 21000
 ESTIMATED DESIGN YEAR = 2040 AADT = 38900
 K = 11% D = 58% T = 22% (24 HOUR)
 DESIGN HOUR T = 11%
 DESIGN SPEED = 60 MPH
 CONTEXT CLASSIFICATION = C2

TYPICAL SECTION
SR 22
STA. 145+00.00 TO STA. 166+00.00
SMOOTHNESS CLASS 3

EASTBOUND AND WESTBOUND TRAVEL LANES

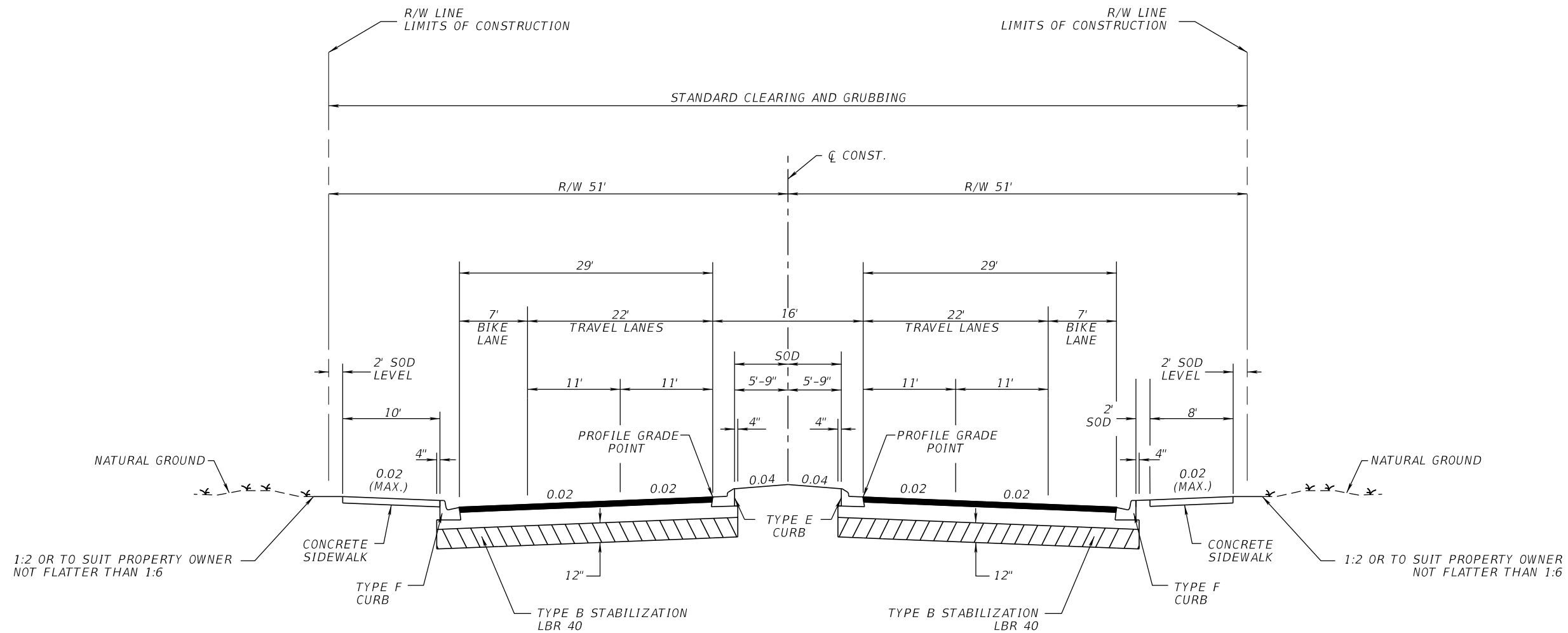
MILL EXISTING ASPHALT PAVEMENT (2 1/4" DEPTH)
 TYPE SP STRUCTURAL COURSE (TRAFFIC E) (1 1/2") (PG 76-22)
 FRICTION COURSE FC-12.5 (TRAFFIC E) (1 1/2") (PG 76-22)

SHOULDER PAVEMENT

MILL EXISTING ASPHALT PAVEMENT (2 1/4" DEPTH)
 TYPE SP STRUCTURAL COURSE (TRAFFIC E) (1 1/2") (PG 76-22)
 FRICTION COURSE FC-12.5 (TRAFFIC E) (1 1/2") (PG 76-22)

Exhibit 913-3
4-Lane Flush Shoulder
Resurfacing
Date: 1/1/2025

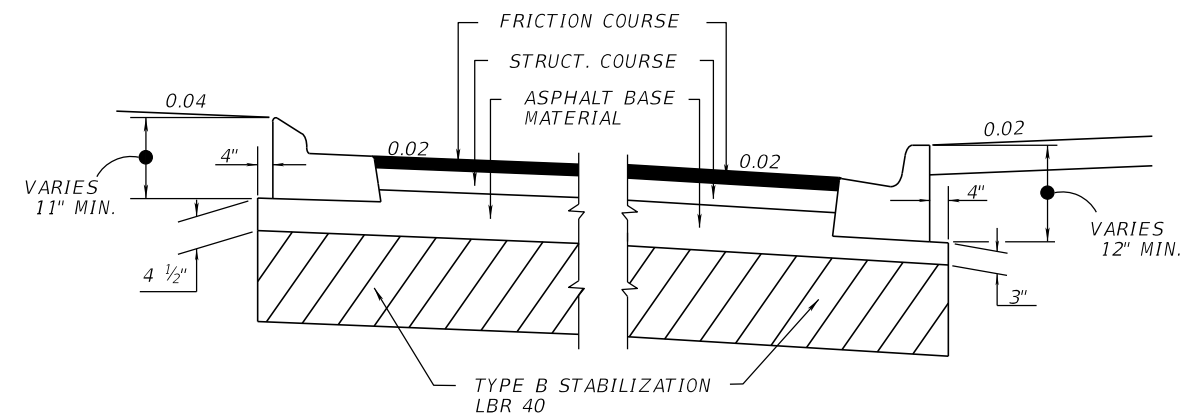
REVISIONS				ENGINEER OF RECORD		STATE OF FLORIDA DEPARTMENT OF TRANSPORTATION			SHEET NO.
DATE	DESCRIPTION	DATE	DESCRIPTION	LUKE S. WALKER LICENSE NUMBER: 99991 ROADWAY ENGINEERS, INC. 123 MAIN STREET TALLAHASSEE, FL 32301		ROAD NO.	COUNTY	FINANCIAL PROJECT ID	
						SR 22	BAY	123456-1-52-01	6
TYPICAL SECTION									



TYPICAL SECTION
SR 22
STA. 98+40.00 TO STA. 202+33.00

TRAVEL AND BIKE LANES

OPTIONAL BASE GROUP 9 (TYPE B-12.5 ONLY)
TYPE SP STRUCTURAL COURSE (TRAFFIC C) (2")
FRICTION COURSE FC-12.5 (TRAFFIC C) (1 1/2") (PG 76-22)



DETAIL OF ASPHALT BASE CURB PAD

TRAFFIC DATA

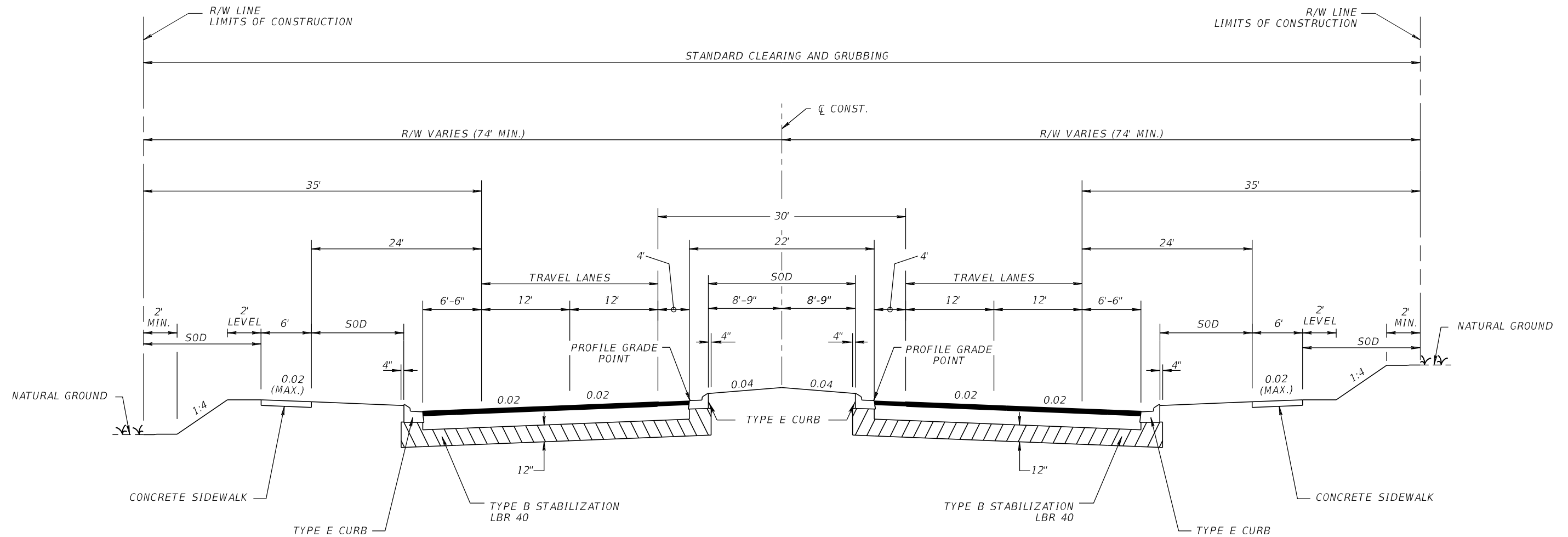
CURRENT YEAR = 2018 AADT = 22800
ESTIMATED OPENING YEAR = 2020 AADT = 25800
ESTIMATED DESIGN YEAR = 2040 AADT = 30600
K = 6% D = 55% T = 2% (24 HOUR)
DESIGN HOUR T = 1%
DESIGN SPEED = 30 MPH
CONTEXT CLASSIFICATION = C2T

Exhibit 913-4
4-Lane Curbed
Date: 1/1/2025

REVISIONS				ENGINEER OF RECORD		STATE OF FLORIDA DEPARTMENT OF TRANSPORTATION			SHEET NO.
DATE	DESCRIPTION	DATE	DESCRIPTION	LUKE S. WALKER, P.E. LICENSE NUMBER: 99991 ROADWAY ENGINEERS, INC. 123 MAIN STREET TALLAHASSEE, FL 32301		ROAD NO.	COUNTY	FINANCIAL PROJECT ID	
						SR 22	BAY	123456-1-52-01	TYPICAL SECTION

8/7/2024 2:47:28 PM KNASDMS C:\Worksets\FDOT\12345678901\Roadway\FDM_900_Exhibit_Master.dgn

THE OFFICIAL RECORD OF THIS SHEET IS THE ELECTRONIC FILE DIGITALLY SIGNED AND SEALED UNDER RULE 61G15-23.004, F.A.C.



TYPICAL SECTION
SR 22

STA. 560+50.00 TO STA. 882+25.00

TRAVEL LANES AND SHOULDER PAVEMENT

OPTIONAL BASE GROUP 9
TYPE SP STRUCTURAL COURSE (TRAFFIC B) (2 1/2")
FRICTION COURSE FC-12.5 (TRAFFIC B) (1 1/2") (PG 76-22)

TRAFFIC DATA

CURRENT YEAR = 2018 AADT = 22800
ESTIMATED OPENING YEAR = 2020 AADT = 25800
ESTIMATED DESIGN YEAR = 2040 AADT = 30600
K = 6% D = 55% T = 2% (24 HOUR)
DESIGN HOUR T = 1%
DESIGN SPEED = 50 MPH
CONTEXT CLASSIFICATION = C3

Exhibit 913-5
4-Lane High Speed
Curbed
Date: 1/1/2023

10/26/2022 4:26:42 PM PS972BW
C:\worksets\FDOT\12345615201\Roadway\TYPERSD01.dgn

REVISIONS		ENGINEER OF RECORD	
DATE	DESCRIPTION	DATE	DESCRIPTION

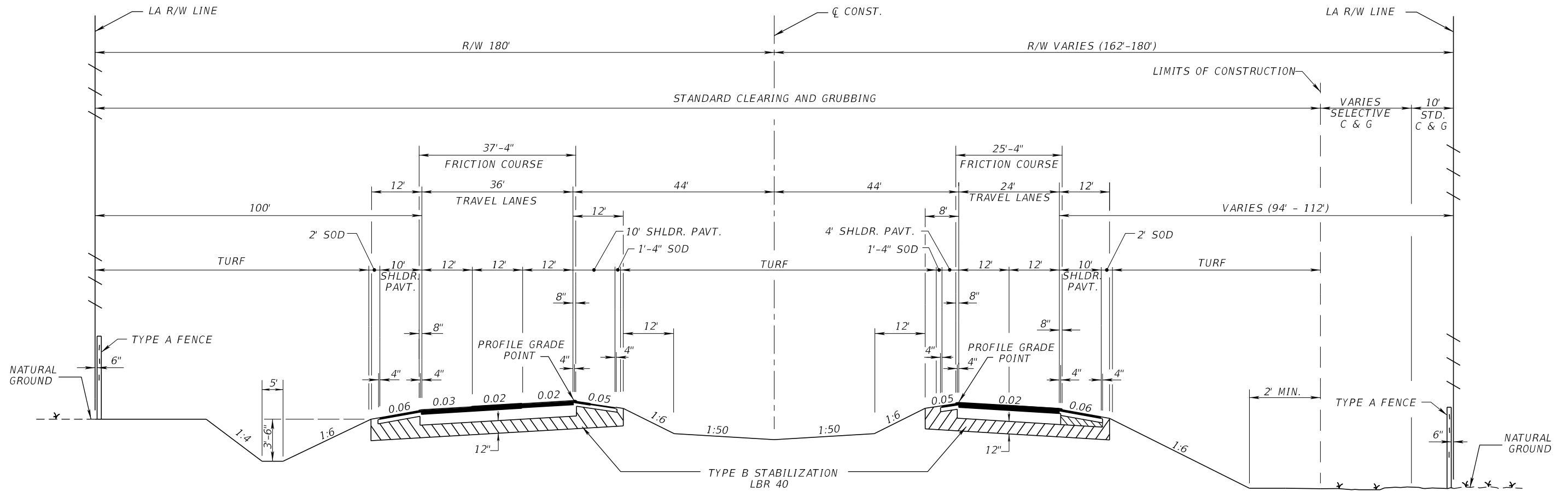
LUKE S. WALKER, P.E.
LICENSE NUMBER: 99991
ROADWAY ENGINEERS, INC.
123 MAIN STREET
TALLAHASSEE, FL 32301

STATE OF FLORIDA DEPARTMENT OF TRANSPORTATION		
ROAD NO.	COUNTY	FINANCIAL PROJECT ID
SR 22	BAY	123456-1-52-01

TYPICAL SECTION

SHEET NO.

THE OFFICIAL RECORD OF THIS SHEET IS THE ELECTRONIC FILE DIGITALLY SIGNED AND SEALED UNDER RULE 61G15-23.004, F.A.C.

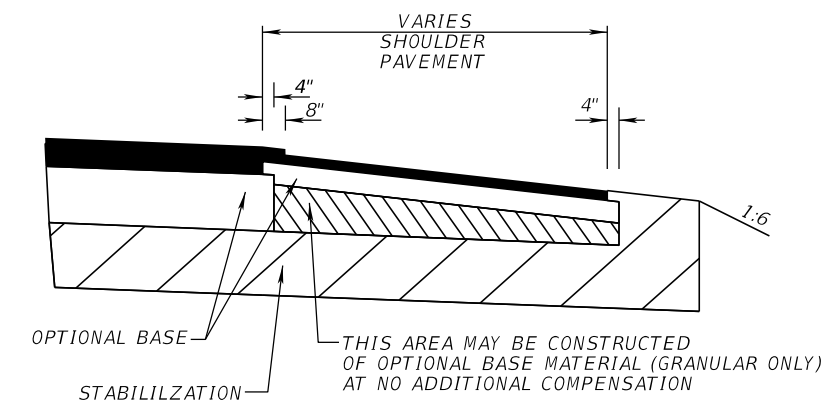


**TYPICAL SECTION
I-10 (SR 8)
STA. 567+25.67 TO STA. 1056+84.35**

TRAFFIC DATA
 CURRENT YEAR = 2018 AADT = 22300
 ESTIMATED OPENING YEAR = 2020 AADT = 23300
 ESTIMATED DESIGN YEAR = 2040 AADT = 51500
 K = 9 % D = 56 % T = 10 % (24 HOUR)
 DESIGN HOUR T = 5 %
 DESIGN SPEED = 70 MPH
 CONTEXT CLASSIFICATION = N/A

TRAVEL LANES
 OPTIONAL BASE GROUP 9
 TYPE SP STRUCTURAL COURSE (TRAFFIC E) (2 1/2")
 TYPE SP STRUCTURAL COURSE (TRAFFIC E) (1 1/2") (PG 76-22)
 FRICTION COURSE FC-5 (3/4") (PG 76-22)

SHOULDER PAVEMENT
 OPTIONAL BASE GROUP 1
 TYPE SP STRUCTURAL COURSE (TRAFFIC E) (1 1/2") (PG 76-22)
 GROUND-IN RUMBLE STRIPS (INDEX 546-010)



SHOULDER PAVEMENT DETAIL

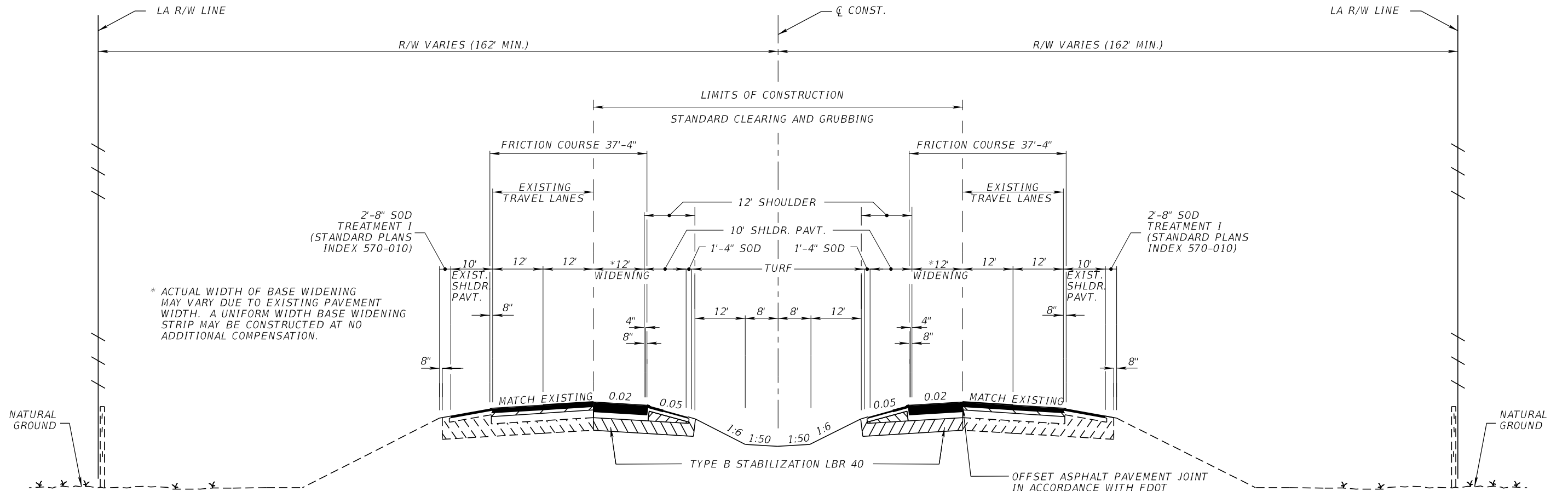
Exhibit 913-6
 4-Lane Limited Access
 Facility
 Date: 1/1/2023

10/26/2022 4:29:50 PM P5972BW C:\work\sets\FDOT\12345615201\Roadway\TY\PSRD01.dgn

REVISIONS				ENGINEER OF RECORD		STATE OF FLORIDA DEPARTMENT OF TRANSPORTATION			SHEET NO.
DATE	DESCRIPTION	DATE	DESCRIPTION	LUKE S. WALKER, P.E. LICENSE NUMBER: 99991 ROADWAY ENGINEERS, INC. 123 MAIN STREET TALLAHASSEE, FL 32301		ROAD NO.	COUNTY	FINANCIAL PROJECT ID	
						SR 8	BAY	123456-1-52-01	

TYPICAL SECTION

THE OFFICIAL RECORD OF THIS SHEET IS THE ELECTRONIC FILE DIGITALLY SIGNED AND SEALED UNDER RULE 61G15-23.004, F.A.C.



* ACTUAL WIDTH OF BASE WIDENING MAY VARY DUE TO EXISTING PAVEMENT WIDTH. A UNIFORM WIDTH BASE WIDENING STRIP MAY BE CONSTRUCTED AT NO ADDITIONAL COMPENSATION.

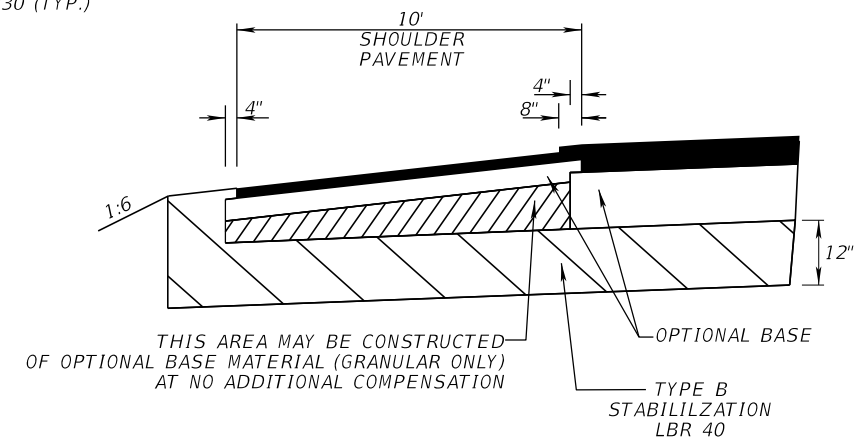
OFFSET ASPHALT PAVEMENT JOINT IN ACCORDANCE WITH FDOT STANDARD SPECIFICATIONS, SECTION 330 (TYP.)

TYPICAL SECTION
I-75 (SR 93)
STA. 1342+25.00 TO STA. 1950+85.75

TRAFFIC DATA

CURRENT YEAR	= 2018 AADT = 22300
ESTIMATED OPENING YEAR	= 2020 AADT = 23300
ESTIMATED DESIGN YEAR	= 2040 AADT = 51500
K = 9 %	D = 56 % T = 10 % (24 HOUR)
DESIGN HOUR T	= 5 %
DESIGN SPEED	= 70 MPH
CONTEXT CLASSIFICATION	= N/A

WIDENING
OPTIONAL BASE GROUP 9 TYPE SP STRUCTURAL COURSE (TRAFFIC E) (2 1/2") TYPE SP STRUCTURAL COURSE (TRAFFIC E) (1 1/2") (PG 76-22) FRICTION COURSE FC-5 (3/4") (PG 76-22)
EXISTING TRAVEL LANES
MILL EXISTING ASPHALT PAVEMENT (2 1/4" DEPTH) TYPE SP STRUCTURAL COURSE (TRAFFIC E) (1 1/2") (PG 76-22) FRICTION COURSE FC-5 (3/4") (PG 76-22)
EXISTING OUTSIDE SHOULDER PAVEMENT
MILL EXISTING ASPHALT PAVEMENT (1 1/2" DEPTH) TYPE SP STRUCTURAL COURSE (TRAFFIC E) (1 1/2") (PG 76-22) GROUND-IN RUMBLE STRIPS (INDEX 546-010)
NEW INSIDE SHOULDER PAVEMENT
OPTIONAL BASE GROUP 1 TYPE SP STRUCTURAL COURSE (TRAFFIC E) (1 1/2") (PG 76-22) GROUND-IN RUMBLE STRIPS (INDEX 546-010)



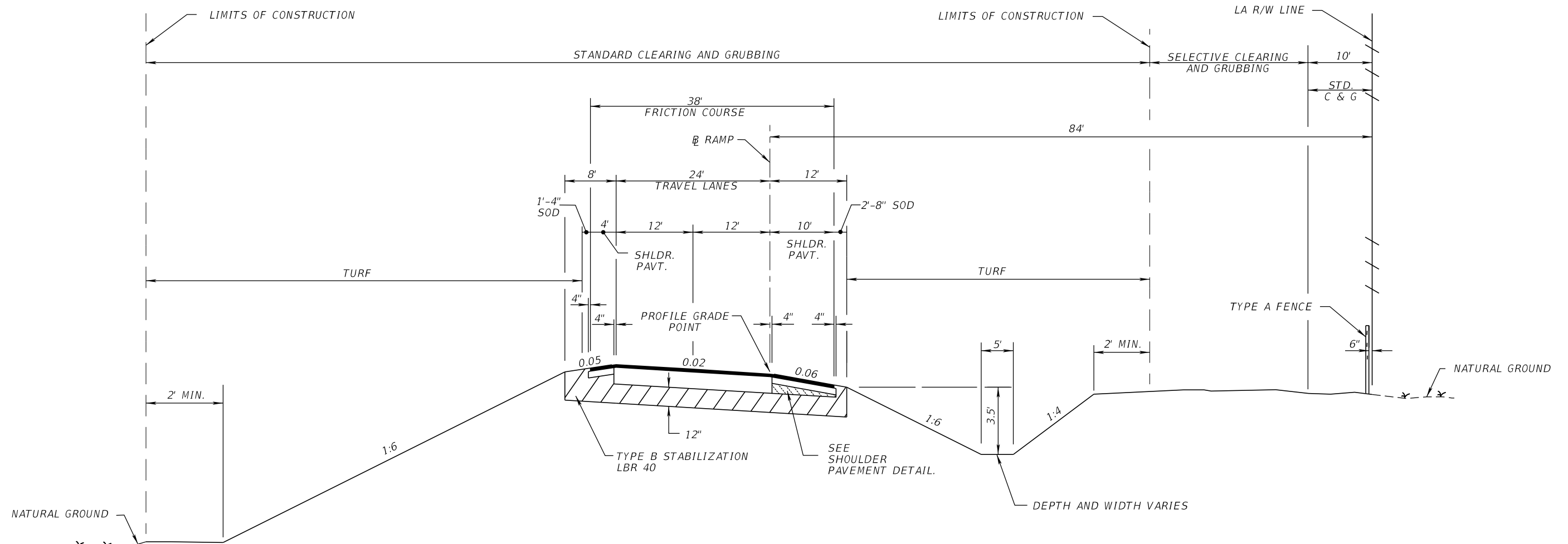
INSIDE SHOULDER PAVEMENT DETAIL

Exhibit 913-7
6-Lane Limited Access Facility
Date: 1/1/2023

12/19/2023 3:41:47 PM P5972CT C:\Worksets\FDOT\FDM Exhibits\Roadway\FDM_900_Exhibit_Master.dgn

THE OFFICIAL RECORD OF THIS SHEET IS THE ELECTRONIC FILE DIGITALLY SIGNED AND SEALED UNDER RULE 61G15-23.004, F.A.C.

REVISIONS				ENGINEER OF RECORD			STATE OF FLORIDA DEPARTMENT OF TRANSPORTATION			TYPICAL SECTION	SHEET NO. 10
DATE	DESCRIPTION	DATE	DESCRIPTION	LUKE S. WALKER, P.E. LICENSE NUMBER: 99991 ROADWAY ENGINEERS, INC. 123 MAIN STREET TALLAHASSEE, FL 32301			ROAD NO.	COUNTY	FINANCIAL PROJECT ID		
							SR 93	BAY	123456-1-52-01		



**TYPICAL SECTION
RAMP "C"
STA. 623+28.64 TO STA. 629+13.78**

TRAFFIC DATA

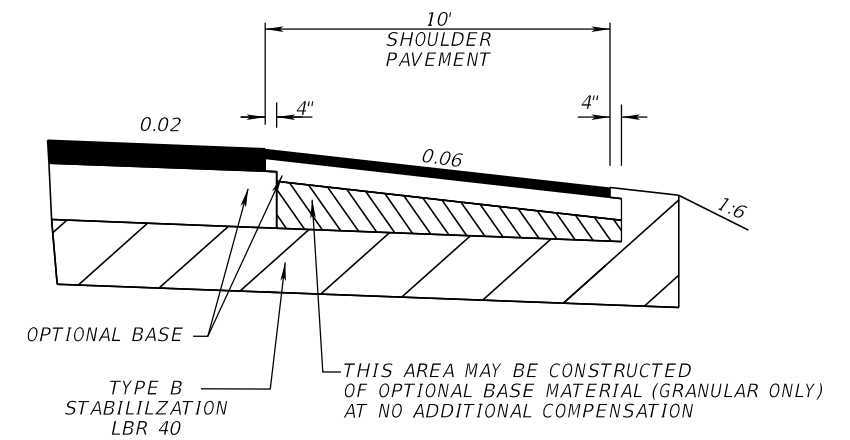
CURRENT YEAR = 2018 AADT = 8,000
 ESTIMATED OPENING YEAR = 2020 AADT = 8,800
 ESTIMATED DESIGN YEAR = 2040 AADT = 12,000
 K = 10% D = 100% T = 8% (24 HOUR)
 DESIGN SPEED = 30 MPH
 CONTEXT CLASSIFICATION = N/A

TRAVEL LANES

OPTIONAL BASE GROUP 9
 TYPE SP STRUCTURAL COURSE (TRAFFIC B) (1 1/2")
 FRICTION COURSE FC-12.5 (TRAFFIC B) (1 1/2") (PG 76-22)

SHOULDER PAVEMENT

OPTIONAL BASE GROUP 1
 FRICTION COURSE FC-12.5 (TRAFFIC B) (1 1/2") (PG 76-22)



SHOULDER PAVEMENT DETAIL

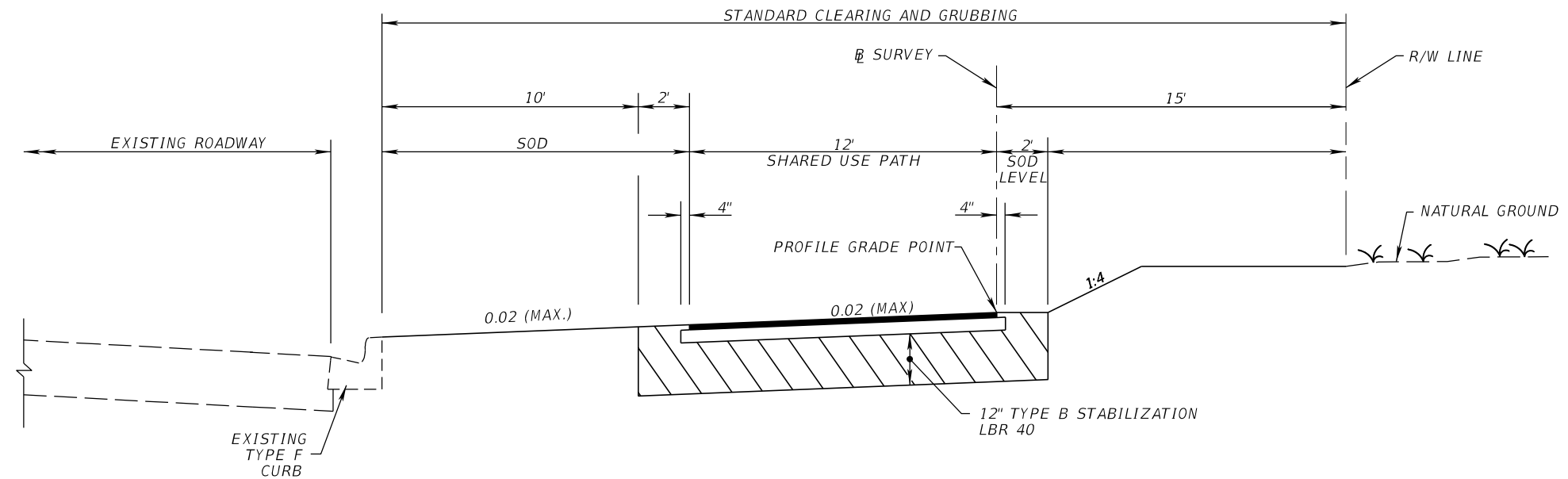
**Exhibit 913-8
Ramp
Date: 1/1/2023**

9/14/2022 3:17:37 PM ps972bw C:\Worksets\FDOT\12345615201\Roadway\TYPSRD01.dgn

REVISIONS				ENGINEER OF RECORD		STATE OF FLORIDA DEPARTMENT OF TRANSPORTATION			SHEET NO.
DATE	DESCRIPTION	DATE	DESCRIPTION	LUKE S. WALKER, P.E. LICENSE NUMBER: 99991 ROADWAY ENGINEERS, INC. 123 MAIN STREET TALLAHASSEE, FL 32301		ROAD NO.	COUNTY	FINANCIAL PROJECT ID	
						SR 93	BAY	123456-1-52-01	

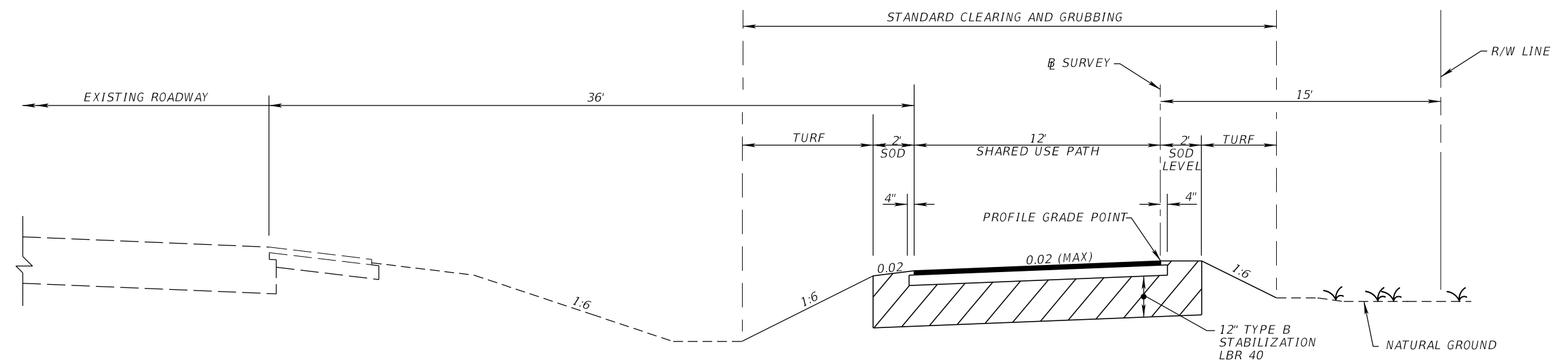
TYPICAL SECTION

THE OFFICIAL RECORD OF THIS SHEET IS THE ELECTRONIC FILE DIGITALLY SIGNED AND SEALED UNDER RULE 61G15-23.004, F.A.C.



TYPICAL SECTION
 SR 22 (WILLOW BEND WAY)
 STA. 122+00.000 TO STA. 210+65.000

SHARED USE PATH
 OPTIONAL BASE GROUP 1
 TYPE SP STRUCTURAL COURSE (TRAFFIC B) (1 1/2")



TYPICAL SECTION
 SR 22 (WILLOW BEND WAY)
 STA. 210+65.000 TO STA. 305+15.000

SHARED USE PATH
 OPTIONAL BASE GROUP 1
 TYPE SP STRUCTURAL COURSE (TRAFFIC B) (1 1/2")

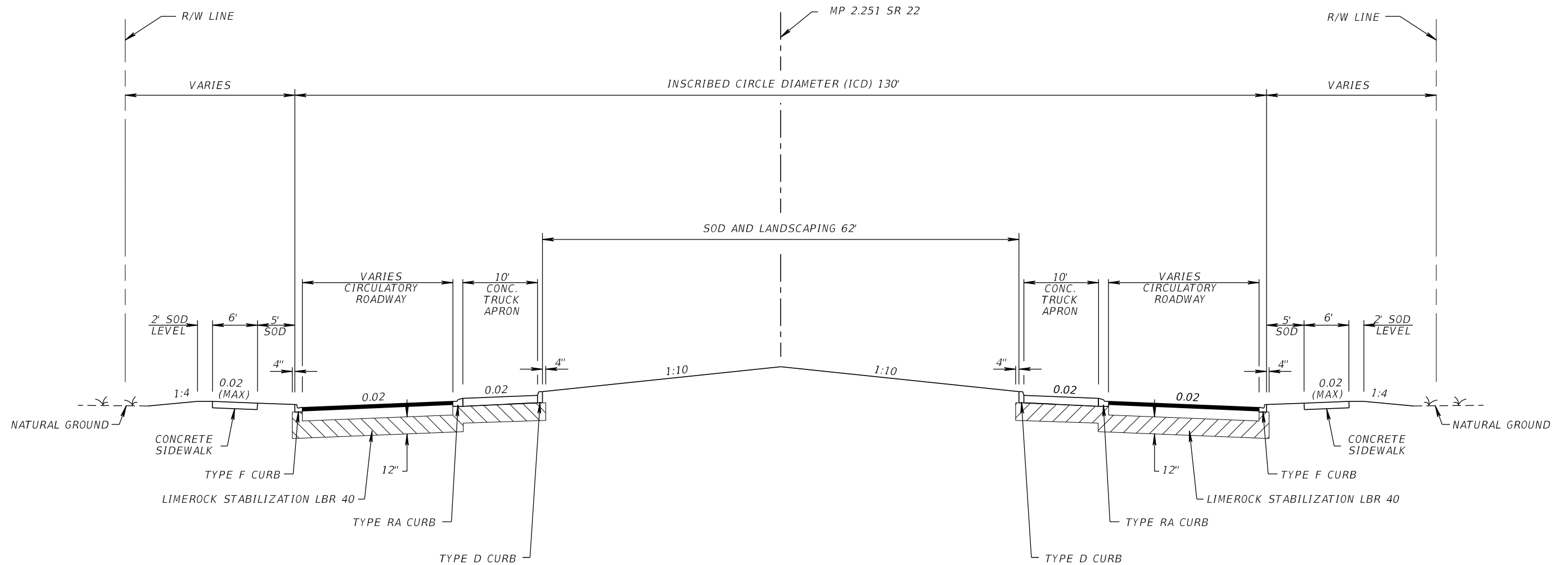
Exhibit 913-9
 Shared Use Path
 Date: 1/1/2023

10/26/2022 4:53:34 PM PS972BW C:\worksets\FDOT\12345615201\Roadway\TYPSRD01.dgn

REVISIONS				ENGINEER OF RECORD		STATE OF FLORIDA DEPARTMENT OF TRANSPORTATION			SHEET NO.
DATE	DESCRIPTION	DATE	DESCRIPTION	LUKE S. WALKER, P.E. LICENSE NUMBER: 99991 ROADWAY ENGINEERS, INC. 123 MAIN STREET TALLAHASSEE, FL 32301		ROAD NO.	COUNTY	FINANCIAL PROJECT ID	
						SR 22	BAY	123456-1-52-01	

TYPICAL SECTION

THE OFFICIAL RECORD OF THIS SHEET IS THE ELECTRONIC FILE DIGITALLY SIGNED AND SEALED UNDER RULE 61G15-23.004, F.A.C.



TYPICAL SECTION
 MP 2.251 SR 22 = Q ALDERAAN RD.

TRAFFIC DATA

CURRENT YEAR	= 2018	AADT	= 22800
ESTIMATED OPENING YEAR	= 2020	AADT	= 25800
ESTIMATED DESIGN YEAR	= 2040	AADT	= 30600
K = 6% D = 55% T = 2% (24 HOUR)			
DESIGN HOUR T = 1%			
CONTEXT CLASSIFICATION = N/A			

CIRCULATORY AND CONNECTING ROADWAYS

OPTIONAL BASE GROUP 9
TYPE SP STRUCTURAL COURSE (TRAFFIC C) (1 1/2")
FRICTION COURSE FC-9.5 (TRAFFIC C) (1 1/2")

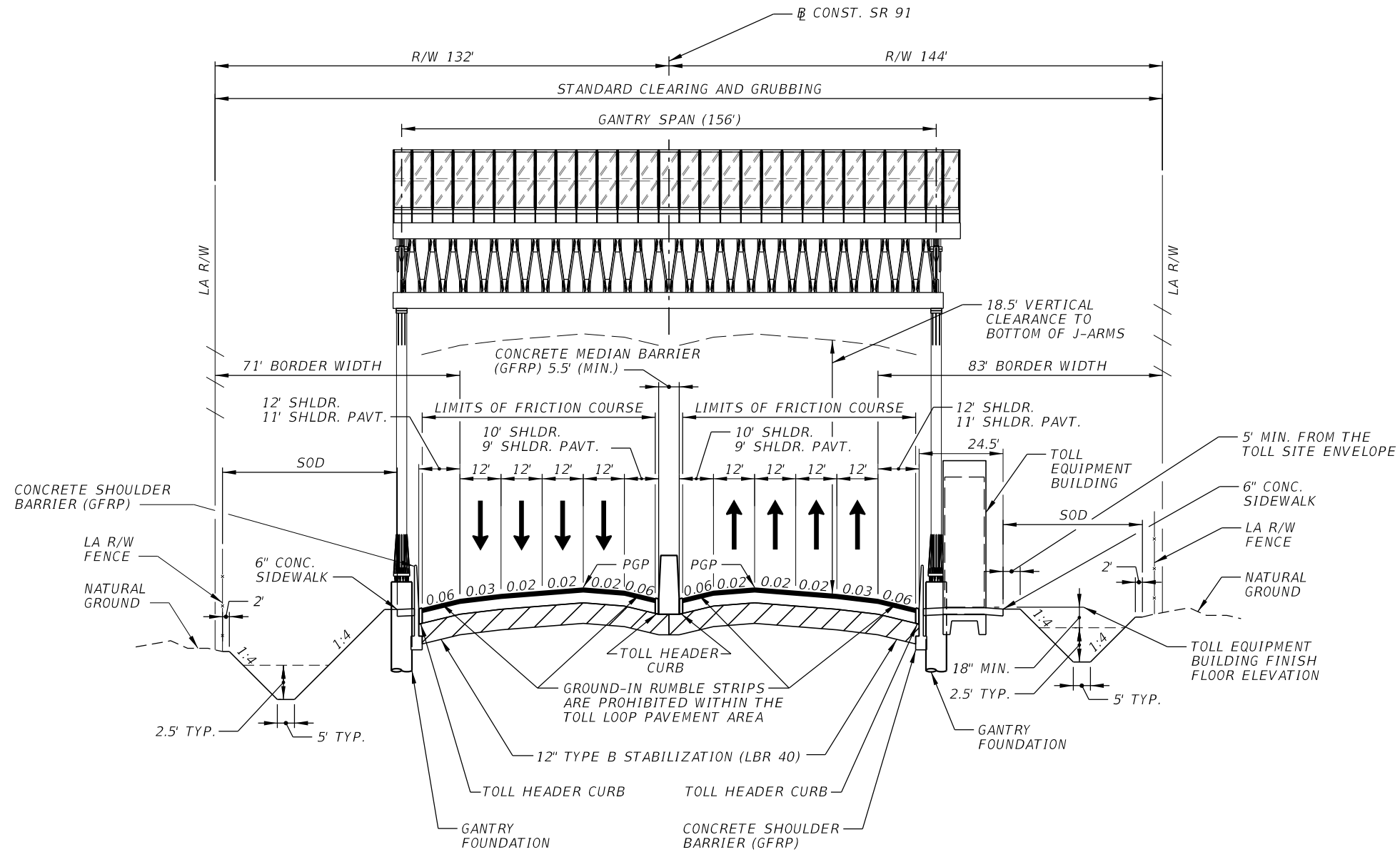
Exhibit 913-10
 Roundabout
 Date: 1/1/2023

9/14/2022 2:51:41 PM ps972bw C:\work\sets\FDOT\12345615201\Roadway\TYP\SRD01.dgn

THE OFFICIAL RECORD OF THIS SHEET IS THE ELECTRONIC FILE DIGITALLY SIGNED AND SEALED UNDER RULE 61G15-23.004, F.A.C.

REVISIONS				ENGINEER OF RECORD		STATE OF FLORIDA DEPARTMENT OF TRANSPORTATION			SHEET NO.
DATE	DESCRIPTION	DATE	DESCRIPTION	LUKE S. WALKER, P.E. LICENSE NUMBER: 99991 ROADWAY ENGINEERS, INC. 123 MAIN STREET TALLAHASSEE, FL 32301		ROAD NO.	COUNTY	FINANCIAL PROJECT ID	
						SR 22	BAY	123456-1-52-01	

TYPICAL SECTION



**TYPICAL SECTION
SR 91 - MAINLINE
SITE 3 - TES 3M ACCESSIBLE GANTRY
STA. 2677+77.82 TO STA. 2678+77.82**

TOLL SITE LANES AND SHOULDERS

OPTIONAL BASE GROUP 11 (TYPE B-12.5) (7") WITH
TYPE SP STRUCTURAL COURSE (TRAFFIC D) (2 1/2")
TYPE SP STRUCTURAL COURSE (TRAFFIC D) (1 1/2") (PG 76-22)
AND FRICTION COURSE FC-12.5 (TRAFFIC D) (1 1/2") (PG 76-22)

TOLL FACILITY MAINTENANCE PULL-OFF AREA

TYPE B STABILIZATION (12")
OPTIONAL BASE GROUP 6 (8") WITH
TYPE SP STRUCTURAL COURSE (TRAFFIC B) (2")

TRAFFIC DATA

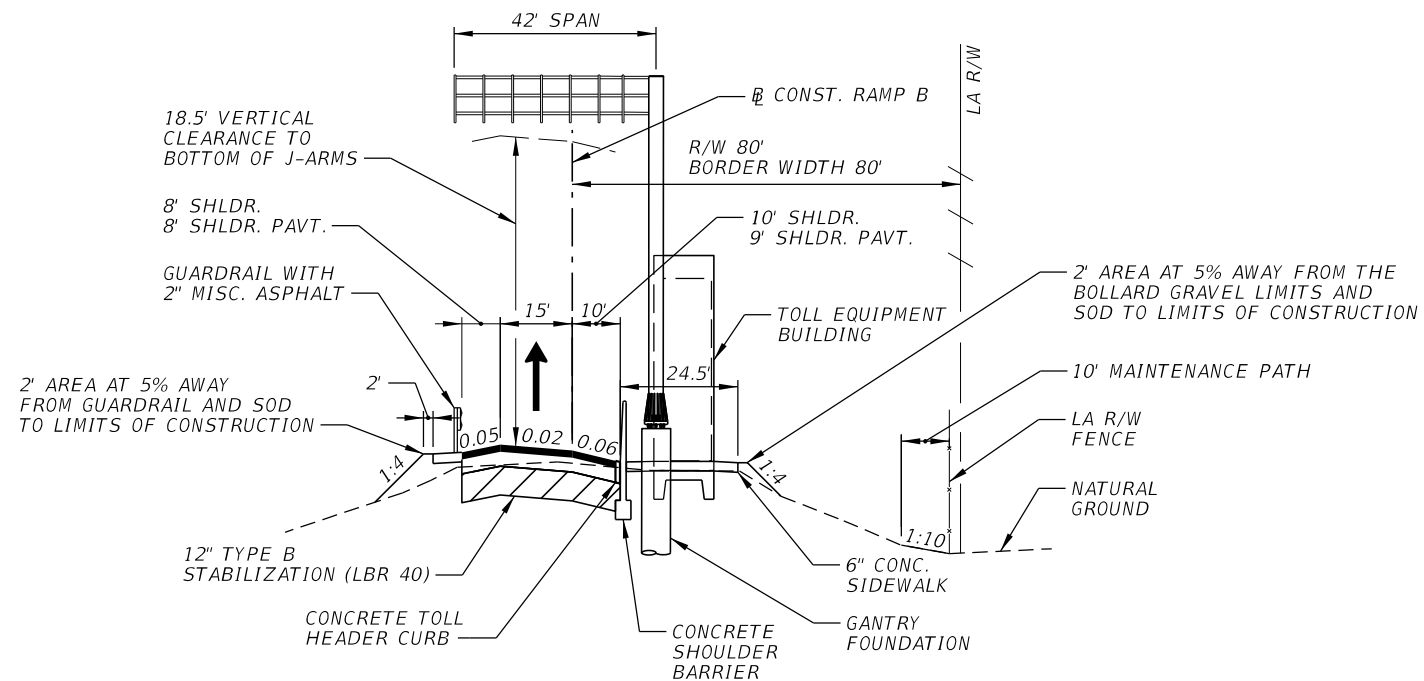
CURRENT YEAR = 2015 AADT = 69,200
ESTIMATED OPENING YEAR = 2022 AADT = 83,300
ESTIMATED DESIGN YEAR = 2042 AADT = 126,900
K = 9.50% D = 52% T = 12.8% (24 HOUR)
DESIGN HOUR T = 6.5%
DESIGN SPEED = 70 MPH

Exhibit 913-11
Mainline Toll Gantry
Date: 1/1/2023

9/14/2022 2:52:01 PM ps972bw C:\worksets\FDOT\12345615201\Roadway\TYP\PSR001.dgn

REVISIONS				ENGINEER OF RECORD	STATE OF FLORIDA DEPARTMENT OF TRANSPORTATION			SHEET NO.
DATE	DESCRIPTION	DATE	DESCRIPTION		ROAD NO.	COUNTY	FINANCIAL PROJECT ID	
				LUKE S. WALKER, P.E. LICENSE NUMBER: 99991 ROADWAY ENGINEERS, INC. 123 MAIN STREET TALLAHASSEE, FL 32301	SR 91	ORANGE	123456-1-52-01	TYPICAL SECTION

THE OFFICIAL RECORD OF THIS SHEET IS THE ELECTRONIC FILE DIGITALLY SIGNED AND SEALED UNDER RULE 61G15-23.004, F.A.C.



**TYPICAL SECTION
RAMP B - TOLL SITE
STA. 2033+50.00 TO STA. 2034+00.00**

TOLL SITE LANES AND SHOULDERS

OPTIONAL BASE GROUP 11 WITH
TYPE SP STRUCTURAL COURSE (TRAFFIC D) (2 1/2")
TYPE SP STRUCTURAL COURSE (TRAFFIC D) (1 1/2") (PG 76-22)
AND FRICTION COURSE FC-12.5 (TRAFFIC D) (1 1/2") (PG 76-22)

TOLL FACILITY MAINTENANCE PULL-OFF AREA

TYPE B STABILIZATION (12")
OPTIONAL BASE GROUP 6 (8") WITH
TYPE SP STRUCTURAL COURSE (TRAFFIC B) (2")

TRAFFIC DATA - RAMP B

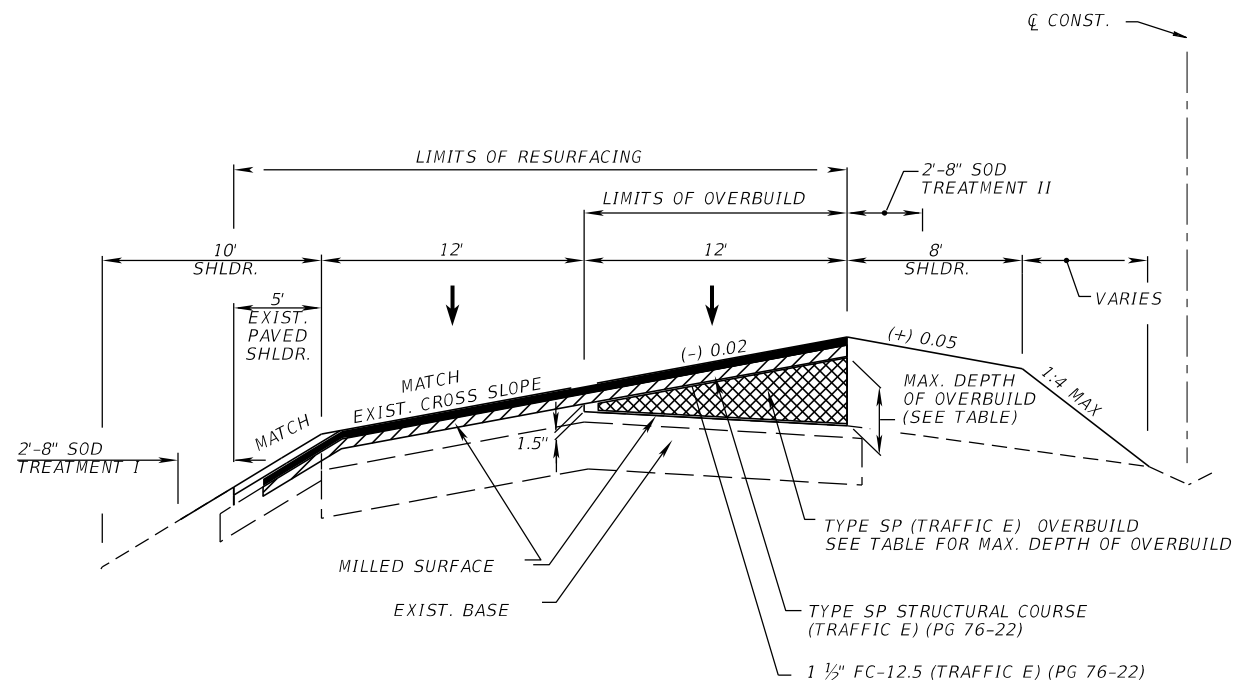
CURRENT YEAR = 2016 AADT = 37,100
ESTIMATED OPENING YEAR = 2025 AADT = 36,200
ESTIMATED DESIGN YEAR = 2045 AADT = 50,000
K = 10% D = 61% T = 15.7% (24 HOUR)
DESIGN HOUR T = 8%
DESIGN SPEED = 45 MPH

**Exhibit 913-12
Ramp Toll Gantry
Date: 1/1/2023**

9/14/2022 2:52:25 PM ps972bw C:\worksets\FDOT\12345615201\Roadway\TYP\PSR001.dgn

THE OFFICIAL RECORD OF THIS SHEET IS THE ELECTRONIC FILE DIGITALLY SIGNED AND SEALED UNDER RULE 61G15-23.004, F.A.C.

REVISIONS				ENGINEER OF RECORD		STATE OF FLORIDA DEPARTMENT OF TRANSPORTATION			SHEET NO.
DATE	DESCRIPTION	DATE	DESCRIPTION	LUKE S. WALKER, P.E. LICENSE NUMBER: 99991 ROADWAY ENGINEERS, INC. 123 MAIN STREET TALLAHASSEE, FL 32301		ROAD NO.	COUNTY	FINANCIAL PROJECT ID	
						SR 91	ORANGE	123456-1-52-01	



**OVERBUILD
AND RESURFACING DETAIL**
NTS
STA. 145+00.00 TO STA. 166+00.00

SR 22 WESTBOUND LANES

OVERBUILD DETAILS							
LOCATION		EXIST. SLOPE (%)	PROPOSED SLOPE (%)	MAX. DEPTH OF OVERBUILD (IN.)	WIDTH OF OVERBUILD (FT.)	AREA OF OVERBUILD (SQ. FT.)	AMOUNT OF OVERBUILD (TON)
STATION	LANE						
145+00	WESTBOUND INSIDE	(+) 1.6	EXISTING	1.5	12.0	1.5	---
146+00	WESTBOUND INSIDE	(+) 1.0	(-) 2.0	5.8	12.0	3.6	18.7
147+00	WESTBOUND INSIDE	(+) 1.6	(-) 2.0	6.7	12.0	4.1	28.2
148+00	WESTBOUND INSIDE	(+) 0.9	(-) 2.0	5.7	12.0	3.6	28.2
149+00	WESTBOUND INSIDE	(+) 0.4	(-) 2.0	4.9	12.0	3.2	24.9
150+00	WESTBOUND INSIDE	(+) 0.9	(-) 2.0	5.7	12.0	3.6	24.9
151+00	WESTBOUND INSIDE	(+) 0.4	(-) 2.0	4.9	12.0	3.2	24.9
152+00	WESTBOUND INSIDE	(+) 0.3	(-) 2.0	4.8	12.0	3.2	23.5
153+00	WESTBOUND INSIDE	(+) 0.0	(-) 2.0	4.4	12.0	3.0	22.7
154+00	WESTBOUND INSIDE	(+) 0.6	(-) 2.0	5.2	12.0	3.4	23.5
155+00	WESTBOUND INSIDE	(+) 1.2	(-) 2.0	6.1	12.0	3.8	26.4
156+00	WESTBOUND INSIDE	(+) 1.4	(-) 2.0	6.4	12.0	4.0	28.6
157+00	WESTBOUND INSIDE	(+) 0.8	(-) 2.0	5.5	12.0	3.5	27.5
158+00	WESTBOUND INSIDE	(+) 1.1	(-) 2.0	6.0	12.0	3.8	26.8
159+00	WESTBOUND INSIDE	(+) 1.0	(-) 2.0	5.8	12.0	3.6	27.1
160+00	WESTBOUND INSIDE	(+) 1.2	(-) 2.0	6.1	12.0	3.8	27.1
161+00	WESTBOUND INSIDE	(+) 2.2	(-) 2.0	7.5	12.0	4.5	30.4
162+00	WESTBOUND INSIDE	(+) 2.2	(-) 2.0	7.5	12.0	4.5	33.0
163+00	WESTBOUND INSIDE	(+) 1.2	(-) 2.0	6.1	12.0	3.8	30.4
164+00	WESTBOUND INSIDE	(+) 0.8	(-) 2.0	5.5	12.0	3.5	26.8
165+00	WESTBOUND INSIDE	(+) 0.6	(-) 2.0	5.2	12.0	3.4	25.3
166+00	WESTBOUND INSIDE	(+) 1.5	EXISTING	1.5	12.0	1.5	18.0
TOTAL OVERBUILD							546.9 TONS

Exhibit 913-13
Overbuild Details
Date: 1/1/2025

9/9/2024 1:44:05 PM KNASDMS C:\Worksets\FDOT\12345678901\Roadway\FDM_900_Exhibit_Master.dgn

THE OFFICIAL RECORD OF THIS SHEET IS THE ELECTRONIC FILE DIGITALLY SIGNED AND SEALED UNDER RULE 61G15-23.004, F.A.C.

REVISIONS				ENGINEER OF RECORD			STATE OF FLORIDA DEPARTMENT OF TRANSPORTATION			SHEET NO.
DATE	DESCRIPTION	DATE	DESCRIPTION	LUKE S. WALKER, P.E. LICENSE NUMBER: 99991 ROADWAY ENGINEERS, INC. 123 MAIN STREET TALLAHASSEE, FL 32301			ROAD NO.	COUNTY	FINANCIAL PROJECT ID	
							SR 22	BAY	123456-1-52-01	